

Outdoor LTE/WIFI MIMO Antenna

MODEL: LW-62



1.. GENERAL DESCRIPTION

Model No	P/N
LW-62	LW-62-61CM-SMA(M)

Below is a table summarizing the antenna design specification.

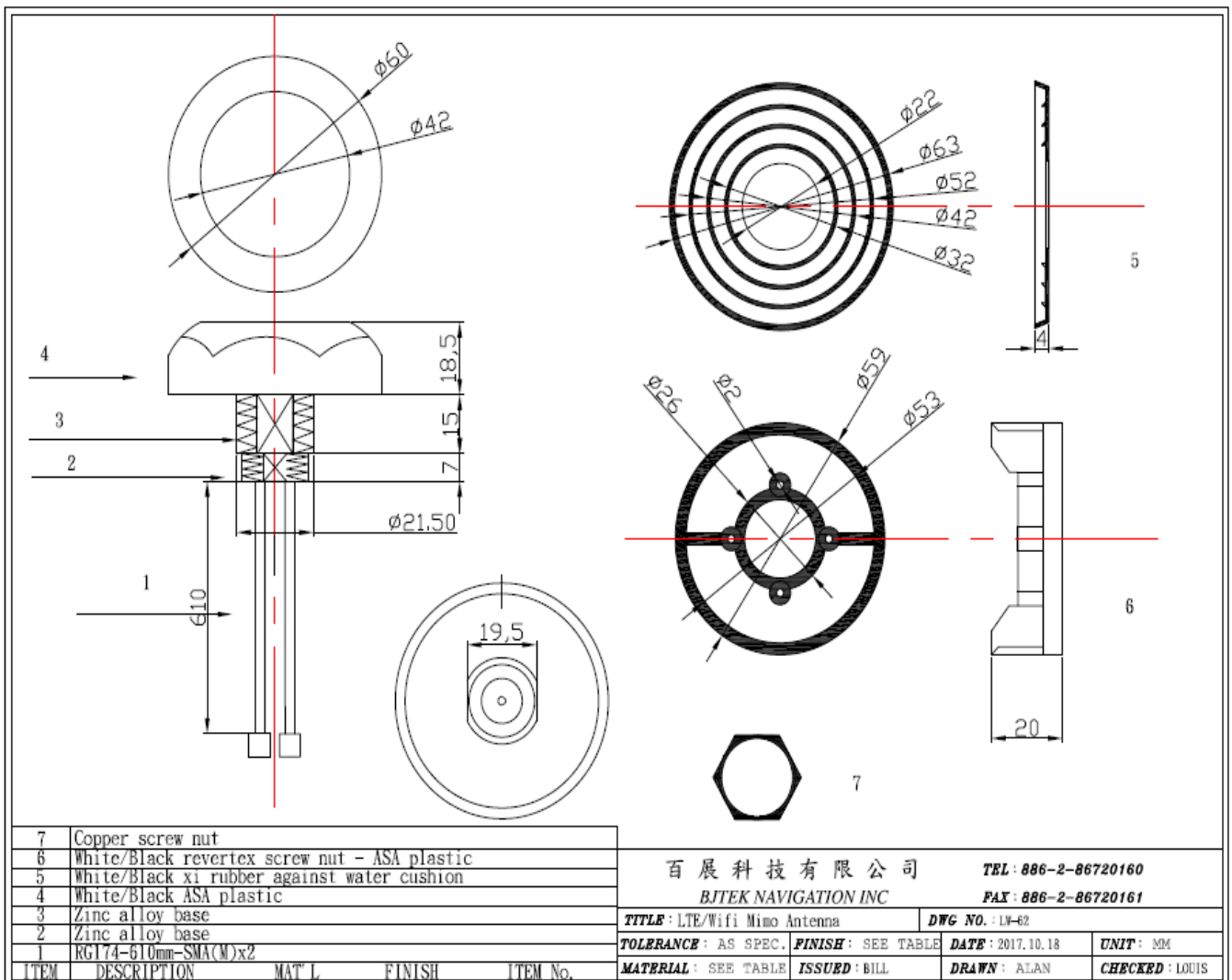
1.1 Electrical Properties

Parameter	Description
Frequency Band	Cable 1: 698~960/1710~2690Mhz Cable 2 : 2.4~2.5/5.1~5.85Ghz
Nominal Impedance	50 ohm
Polarization	Vertical
Admitted Power radiation	5W
V.S.W.R	4.0:1
Antenna Peak Gain	0db
Note: Gain includes the cable loss	

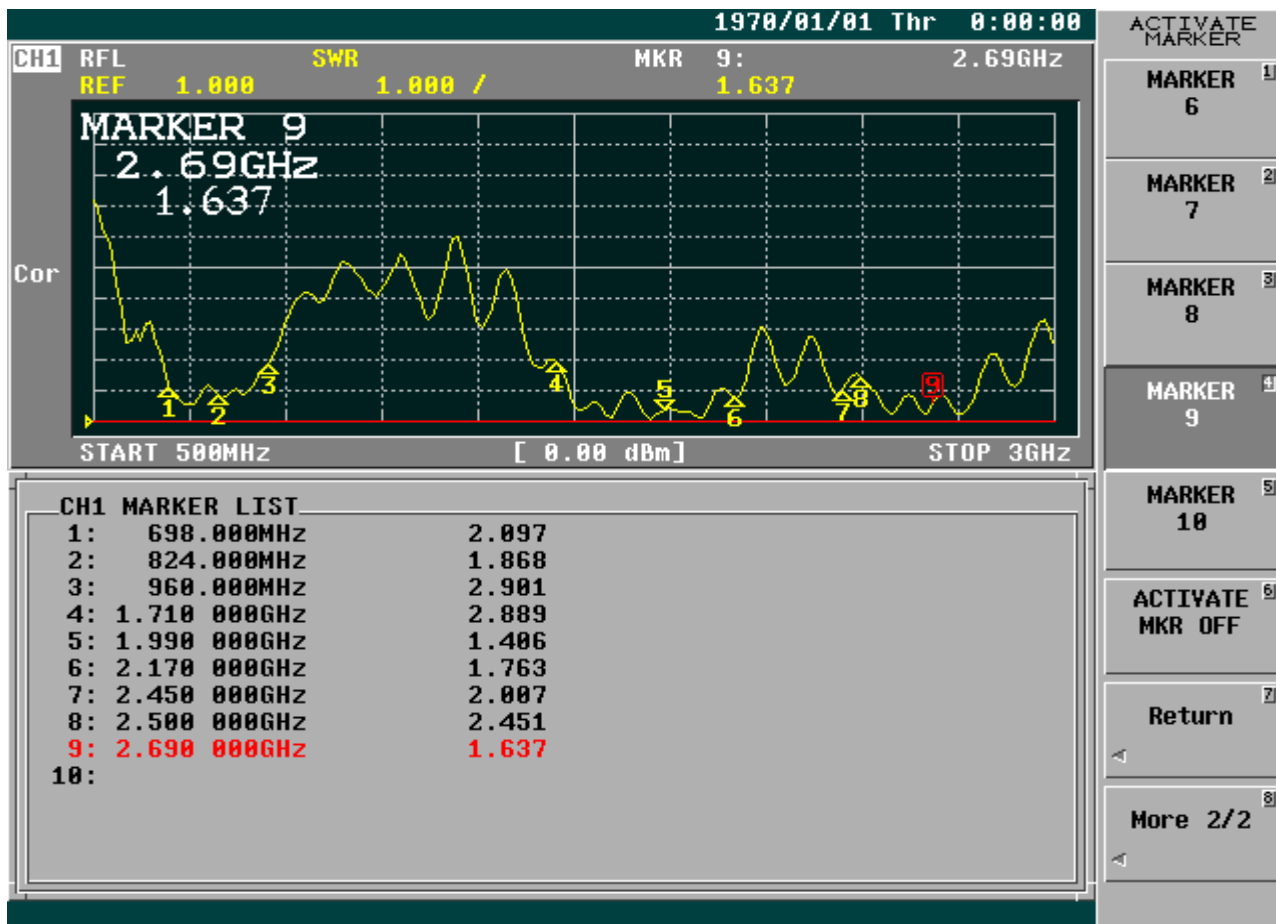
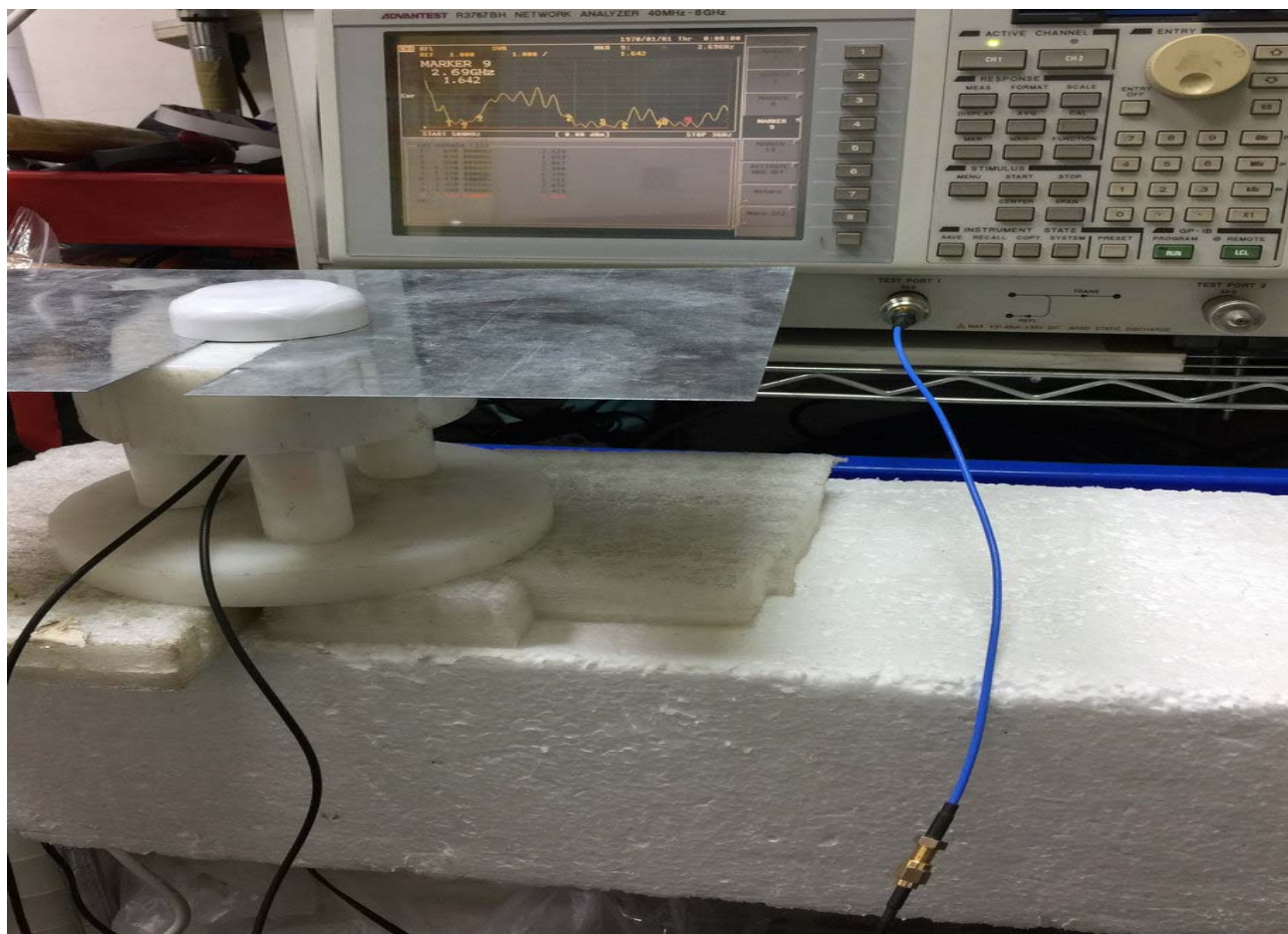
1.2 Mechanical Properties

Parameter	Description
Antenna Type	External Antenna

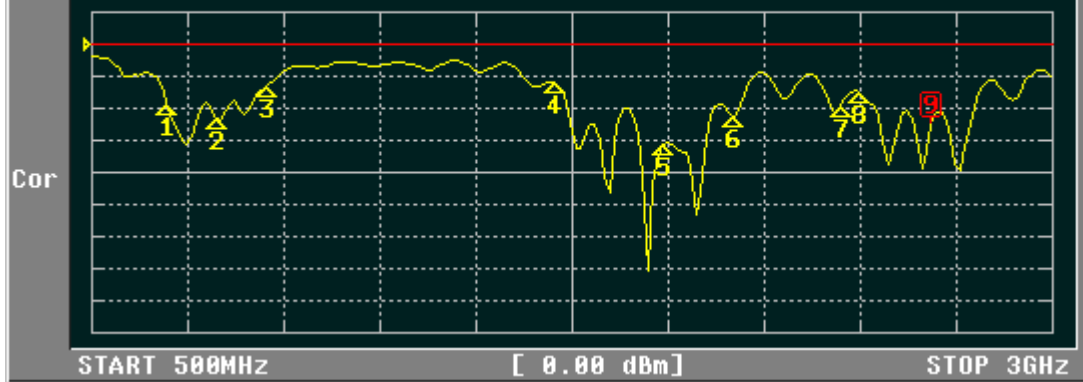
Material	ASA-UV
Touch Type	Screw Type
Cable & Connector	RG174-610mm-SMA (M) x 2
Antenna Dimensions	60mm(Dia.) x 18.5mm(H)
Mounting	FB6 SUS L-Mounting (optional)
Antenna Color	White
Operating Temperature Range	-40°C~+80°C
Storage Temperature Range	-40°C~+80°C
Waterproof	IPX7



LTE/3G Test : ON 320x240 GND



CH1 RFL LOG MAG MKR 9: 2.69GHz
 REF 0.000 dB 5.000 dB/ -12.165 dB



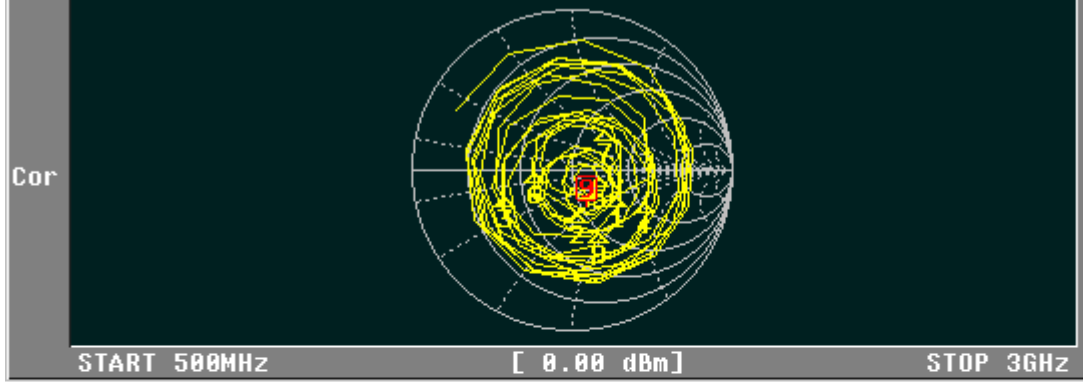
CH1 MARKER LIST

1:	698.000MHz	-9.285 dB
2:	824.000MHz	-11.406 dB
3:	960.000MHz	-6.473 dB
4:	1.710 000GHz	-6.255 dB
5:	1.990 000GHz	-15.639 dB
6:	2.170 000GHz	-11.282 dB
7:	2.450 000GHz	-9.637 dB
8:	2.500 000GHz	-7.656 dB
9:	2.690 000GHz	-12.165 dB
10:		

FORMAT

- LOG MAG 1
- PHASE 2
- DELAY 3
- SMITH (R+jX) 4
- SMITH (G+jB) 5
- POLAR 6
- LIN MAG 7
- More 1/2 8

CH1 RFL SMITH(R+jX) MKR 9: 2.69GHz
 FS 1.000 51.941 Ω -25.398 Ω



CH1 MARKER LIST

1:	698.000MHz	81.379 Ω	-27.820 Ω	8.195pF
2:	824.000MHz	48.342 Ω	-25.123 Ω	7.687pF
3:	960.000MHz	19.139 Ω	-8.248 Ω	20.099pF
4:	1.710 000GHz	107.779 Ω	-54.333 Ω	1.713pF
5:	1.990 000GHz	68.332 Ω	-7.013 Ω	11.403pF
6:	2.170 000GHz	30.389 Ω	-1.406 Ω	52.149pF
7:	2.450 000GHz	63.694 Ω	36.295 Ω	2.357nH
8:	2.500 000GHz	48.697 Ω	-45.680 Ω	1.393pF
9:	2.690 000GHz	51.941 Ω	-25.398 Ω	2.329pF
10:				

FORMAT

- LOG MAG 1
- PHASE 2
- DELAY 3
- SMITH (R+jX) 4
- SMITH (G+jB) 5
- POLAR 6
- LIN MAG 7
- More 1/2 8

WiFi Test : ON 320x240 GND

