

GPS/4G LTE combo Antenna

MODEL: GAF-6

Multi-band antenna for any telemetry applications



Overview:

The **GAF-6** is the multi-band antenna that covers GPS/704/850/900/1800/1900/2100/2690 MHz frequencies. It is specially designed for any telemetry applications, which utilize those bands. The high sensitivity of **GAF-6** will enhance the performance of your telemetry devices.

Features:

1. Covers all the mobile communication network
2. Diminutive & rugged construction allows for military and other applications demanding high degree of confidentiality.
3. Ultra-high sensitivity.
4. IPX7 fully weatherproof.
5. Magnetic Mount or 3M adhesive Mount

Applications:

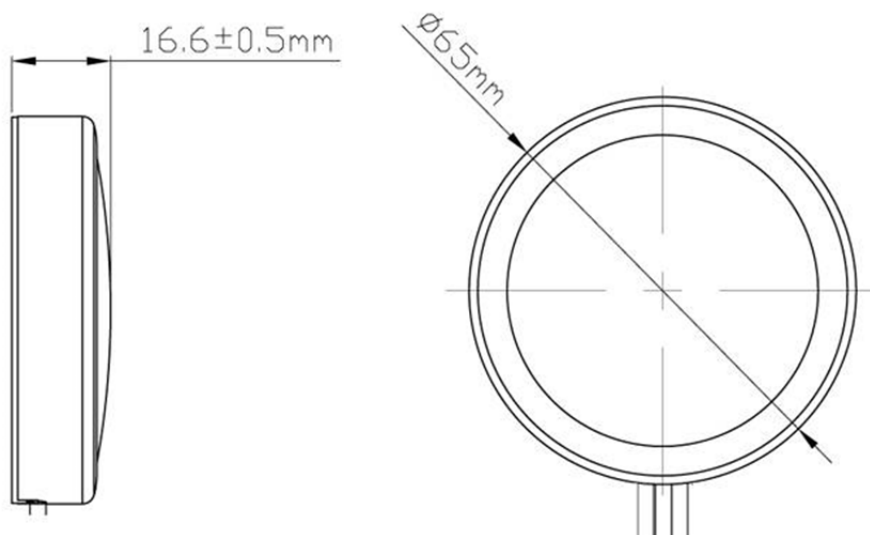
1. AVL/Car Navigation
2. Telemetry Application
3. Security Surveillance
4. Vehicle tracking/Asset tracking

Specification:

Category	GPS Antenna	4G LTE
Frequency	1575.42MHz +/-10MHz	704~960 MHz, 1710~2766 MHz
Gain	27dB	0dBi
V.S.W.R	2.0 Max.	≤ 2.0
Noise Figure	1.5 Typ.	-
Impedance	50 Ohm	50 Ohm
Cable/Connector	3 Meter-RG174/SMA	3 Meter-RG174/SMA
Polarization	R.H.C.P	Linear
Power supply	2.5 ~ 5.5V DC	-
Power Consumption	10.6 mA @ 3V, 21 mA@ 5V (Typical)	-
Power Handling Capacity	-	10W
Dimension	65mm(Dia.) x 16.60mm(H)	
Operation Temperature	-40degC to +80degC	
Storage Temperature	-45degC to +100degC	
Waterproof Rating	IPX7	
Color	Black	

* This specification is subject to change without prior notice

Mechanical Dimension:



3D Gain and Efficiency Report (with a 3m RG-174 cable).

<LTE>

Frequency (MHz)	704	734	756	768	787	824
Gain (dBi)	-2.44	-0.43	0.25	-0.76	0.39	-0.99
Efficiency (%)	14.61	25.48	28.37	24.64	24.34	21.52

Frequency (MHz)	824	868	880	915	960
Gain (dBi)	-0.99	-0.52	0.38	-0.89	-1.07
Efficiency (%)	21.52	16.68	17.72	19.99	21.88

Frequency (MHz)	1710	1785	1805	1850	1880	1920
Gain (dBi)	-2.59	-2.17	-3.87	-3.39	-4.5	-3.91
Efficiency (%)	16.52	14.83	13.25	13.25	11.94	11.14

Frequency (MHz)	1990	2110	2140	2170
Gain (dBi)	-3.02	-5.42	-6.02	-6.38
Efficiency (%)	15.43	9.88	10.18	9.58

Frequency (MHz)	2300	2400	2500	2570	2620	2690
Gain (dBi)	-3.9	-4.47	-4.71	-3.24	-3.11	-2.52
Efficiency (%)	8.99	11.47	14.05	14.49	11.47	13.22