

Marine AIS Tracking BUOY

Model: MT-168

Easy to Install , Easy to Track , Easy to Use



Overview

Our AIS Tracking Buoy is a simplified AIS Class B device that offers efficient and cost effective fishing net tracking solution.

With this device installed, the vessel owners can locate, identify, and monitor their fishing net within the AIS VHF transmission range.

Our buoy can prevents unauthorized transferring between fishing net. MT-168 uses rechargeable battery and can operate up to twenty days. The device has built-in GPS and external VHF antennas.

MT-168 is lightweight, robust and easy to install on fish net even for smaller vessels without onboard power supply. A wide range of optional functions are available for users to make the product fit for individual application.

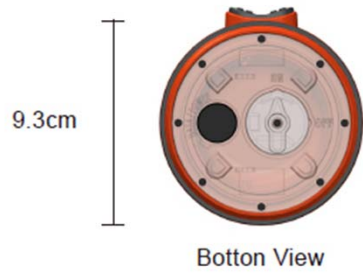
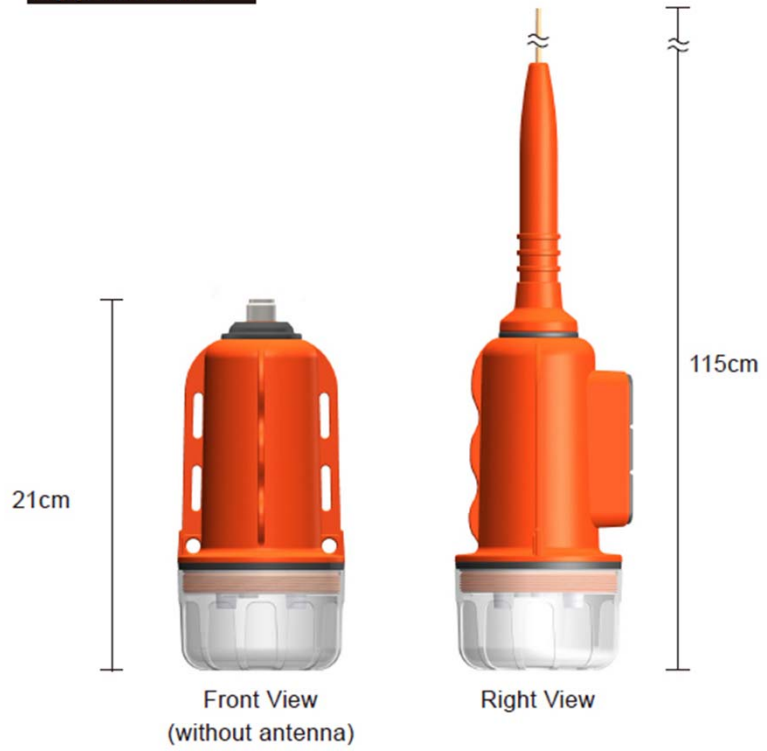
Features

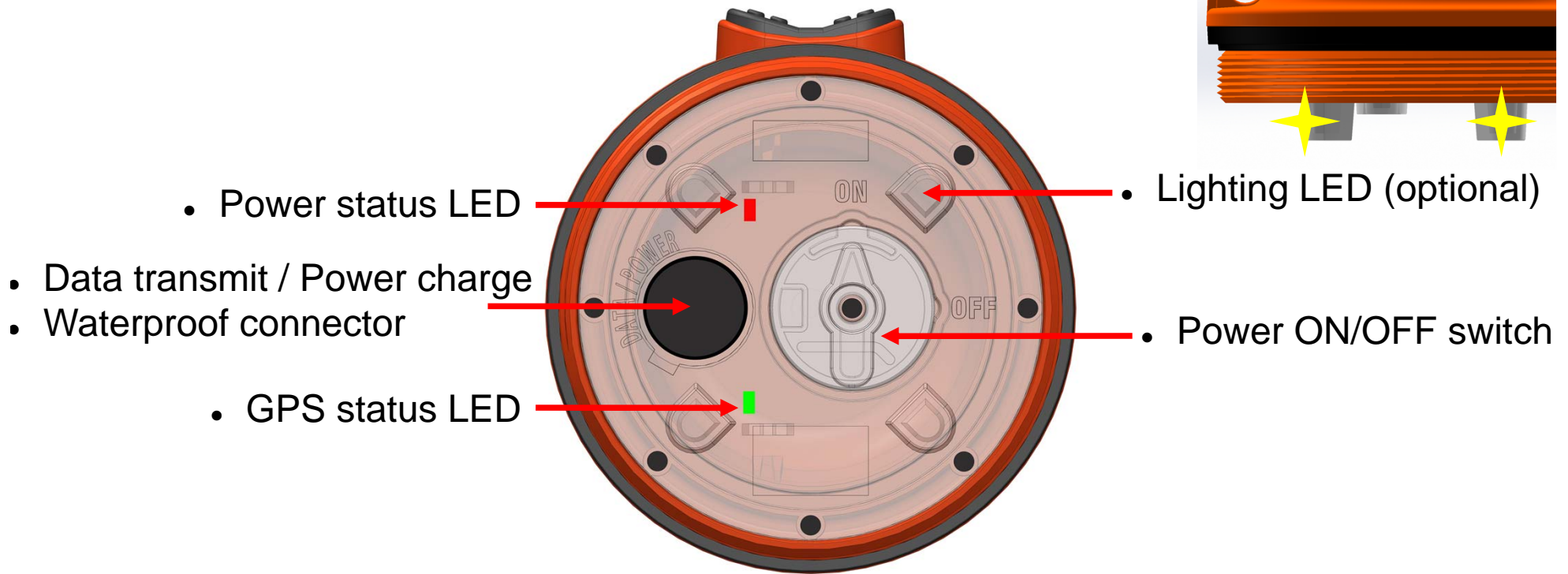
- Transmission distance up to 36 km.
- Working time up to 20 days.
- Easy to install, Easy to Track, Easy to Use.
- Report interval can be changed.

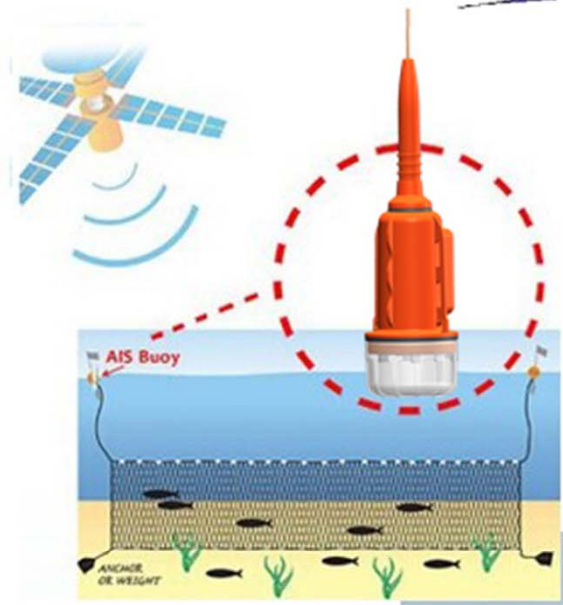
Specification

Model	MT-168
Quad Band	161.975 MHz / 162.025 MHz
Baud Rate	9600 b/s+50ppm(GMSK)
Bandwith	25 KHz
Output Power	6 W
Transmission Distance	Up to 36 km
Antenna	External 1m VHF antenna
GNSS Chipset	M2-1216-B
Receiving Channels	72 channels
Tracking Sensitivity	-160 dbm
Position Accuracy	2.5 m CEP
Battery	12.6V 3200 mAh
Battery Type	Rechargeable Li-ion battery
Battery working time	Up to 20 days (report interval: 3 min)
I/O port	4 pin waterproof connector
Size (Main Body)	21 cm x 9.3 cm
Weight (Main Body)	550g
Waterproof	IPx8
Operating Temperature	-20°C~60°C
Storage Temperature	-30°C~70°C
LED Indication	
Flashing 1~10 sec (red & green)	Battery status 10~100%
Fast Flashing 10 sec (red)	Low power warning
Flashing (green)	GPS searching
Flashing 3 sec (red & green)	Transmitting data

Appearance









File Setting Center Color About

OWN SHIP Range : 3.00 nm
Ring : 0.75 nm

North Up

Name
Date -
Lat -0:0 0.000N Lon -0:0 0.000E
COG -315.00 SOG -0.00
MMSI Call -
Fix -0
UTC

BUOY_SETTING.vi

BUOY Setting

Buoy MMSI 401234321 Interval 1 minute

Buoy Name NET BUOY 1

Length 0 Width 0

Password **** Comport COM3 connect

Set Modify PWD Query

Buoy MMSI 0 interval 0 minute(s)

Buoy Name

Length 0 Width 0

Back

Range 3 nm Vector 6 min Target 0 Record data

File Setting Center Color About

OWN SHIP Range : 3.00 nm
Ring : 0.75 nm

North Up

Name
Date -
Lat -0:0 0.000N Lon -0:0 0.000E
COG -315.00 SOG -0.00
MMSI
Fix -0
UTC

BUOY_SETTING.vi

BUOY Setting

Buoy MMSI 401234321 Interval 1 minute
Buoy Name NET BUOY 1
Length 0 Width
Password **** Comport 1/0
Set Modify PWD
Buoy MMSI 0 interval 0 minute(s)
Buoy Name
Length 0 Width 0 Back

Interval dropdown menu:
1 minute
✓ 1 minute
2 minutes
3 minutes
4 minutes
5 minutes
6 minutes
7 minutes
8 minutes

Range 3 nm Vector 6 min Target 0 Record data