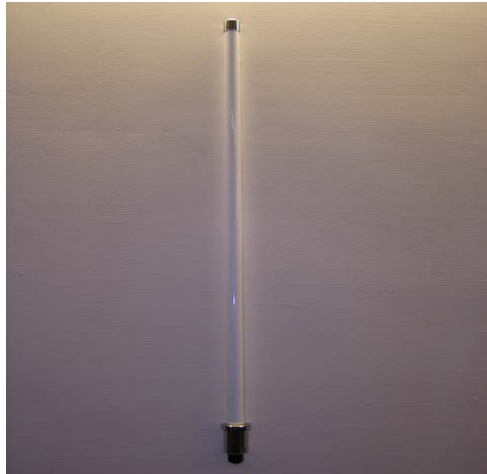


# OUTSIDE L Band & 2.4G ANTENNA

## MODEL: TH1600B

Fiber Glass Antenna

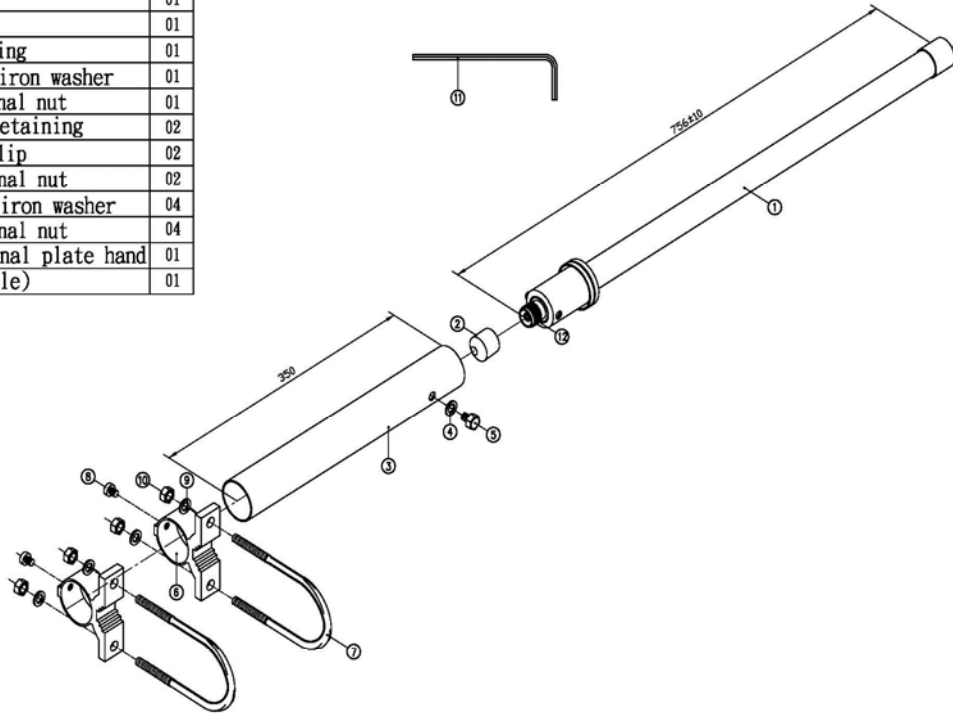


### Specifications:

Frequency range:	1550~1650 & 2400~2500Mhz
Gain:	5~7dBi
V.S.W.R:	<2.0
Impedence:	50 ohm
Connector:	N Type Female
Dimension:	756mm +/-10 x OD20mm
Weight:	0.76Kg
Polarization :	vertical
Power handling :	50W
Colour :	white
Rated wind velocity :	60m/s
Working Temperature :	-40~60°C
Lightning Protection :	Direct Ground

\* This specification is subject to change without prior notice

NO.	NAME	Q, TY
01	Body	01
02	Cap	01
03	Stay ring	01
04	Round iron washer	01
05	Hexagonal nut	01
06	Clip retaining	02
07	U-Circlip	02
08	Hexagonal nut	02
09	Round iron washer	04
10	Hexagonal nut	04
11	Hexagonal plate hand	01
12	N(Female)	01



Third angle projection		CUSTOMER'S	MODEL	PARTS NUMBER	FREQUENCY	UNIT	SCALE	DATE	VERSION
					1550/1650/2400MHz	M/M		20181220	1
		TOLERANCE	X. XX±0.15	NAME	PARTS NUMBER	APPROVED	CHECKED	DRAWING	DESIGNED
		SURFACE ROUGHNESS	$\sqrt{R}$	APPEARANCE					

