

# 2.4/5.8G Dual Band Antenna

**MODEL: TH-93**

**Swivel Omni-directional Antenna**

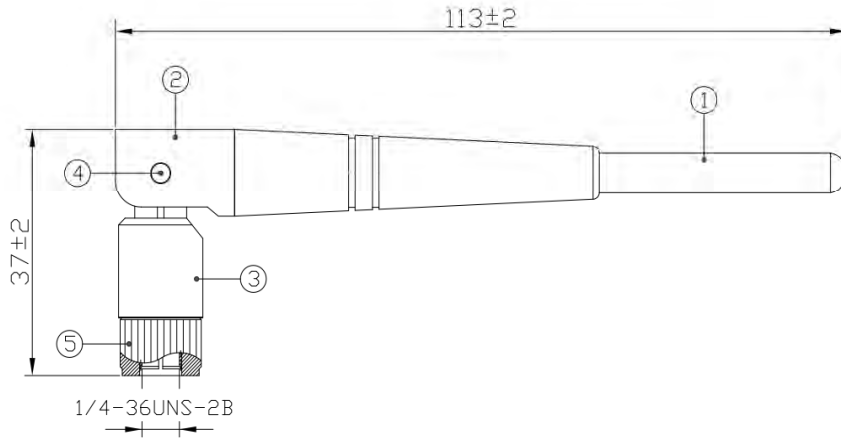


## Specifications:

1.	<b>WORKING FREQUENCY</b>	<b>2.400-2.500GHz 5.000-5.800GHZ</b>
2.	<b>ELECTRIC WAVE</b>	<b>DIPOLE</b>
3.	<b>IMPEDANCE</b>	<b>50 Ohm , Nominal</b>
4.	<b>V.S.W.R</b>	<b>3.5</b>
5.	<b>GAIN</b>	<b>3.0 dbi</b>
6.	<b>RADIATION</b>	<b>Omni</b>
7.	<b>POLARIZATION</b>	<b>VERTICAL</b>
8.	<b>POWER HANDLING</b>	<b>5 W</b>
9.	<b>OPERATING TEMPERATURE</b>	<b>-30°C -- +60°C</b>
10.	<b>Connector</b>	<b>RP-SMA(M) or SMA(M)</b>
11.	<b>Dimension</b>	<b>13(Dia.) × 113 (H) mm</b>

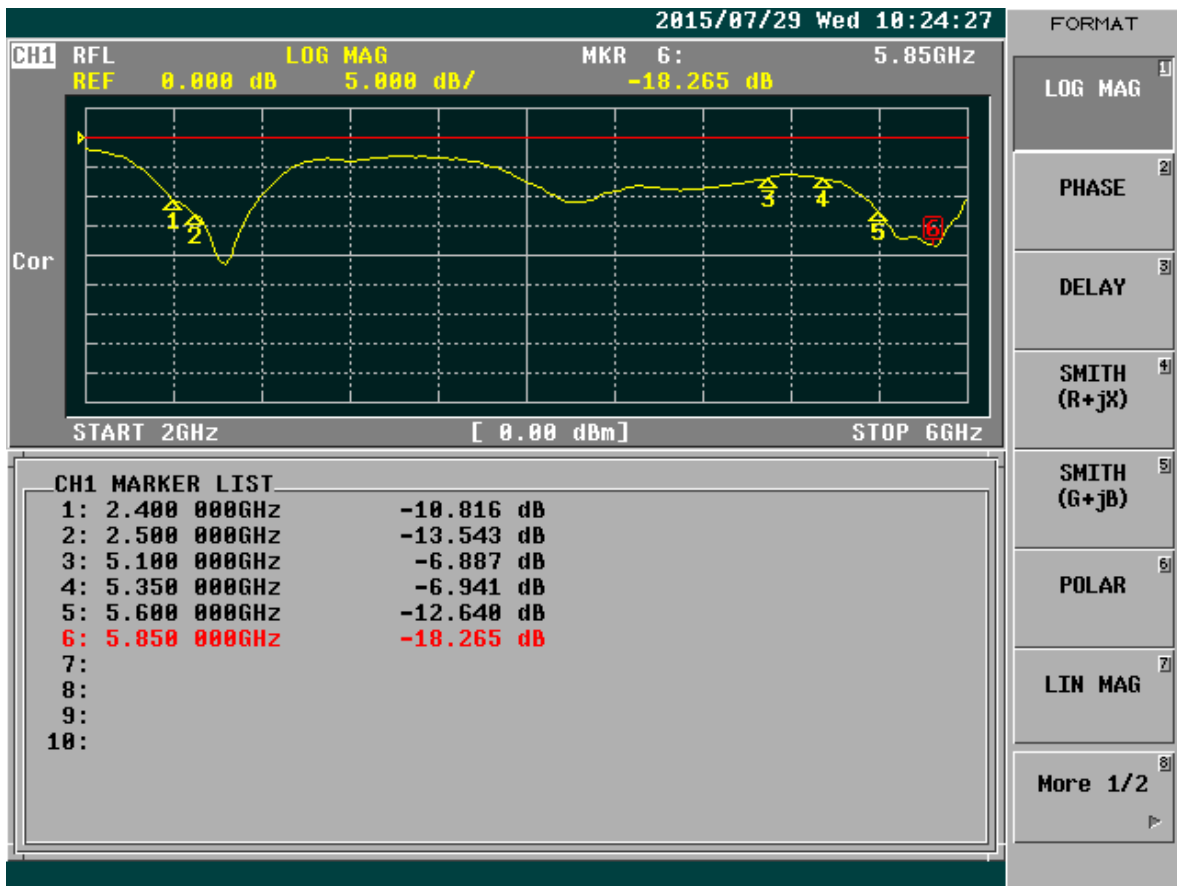
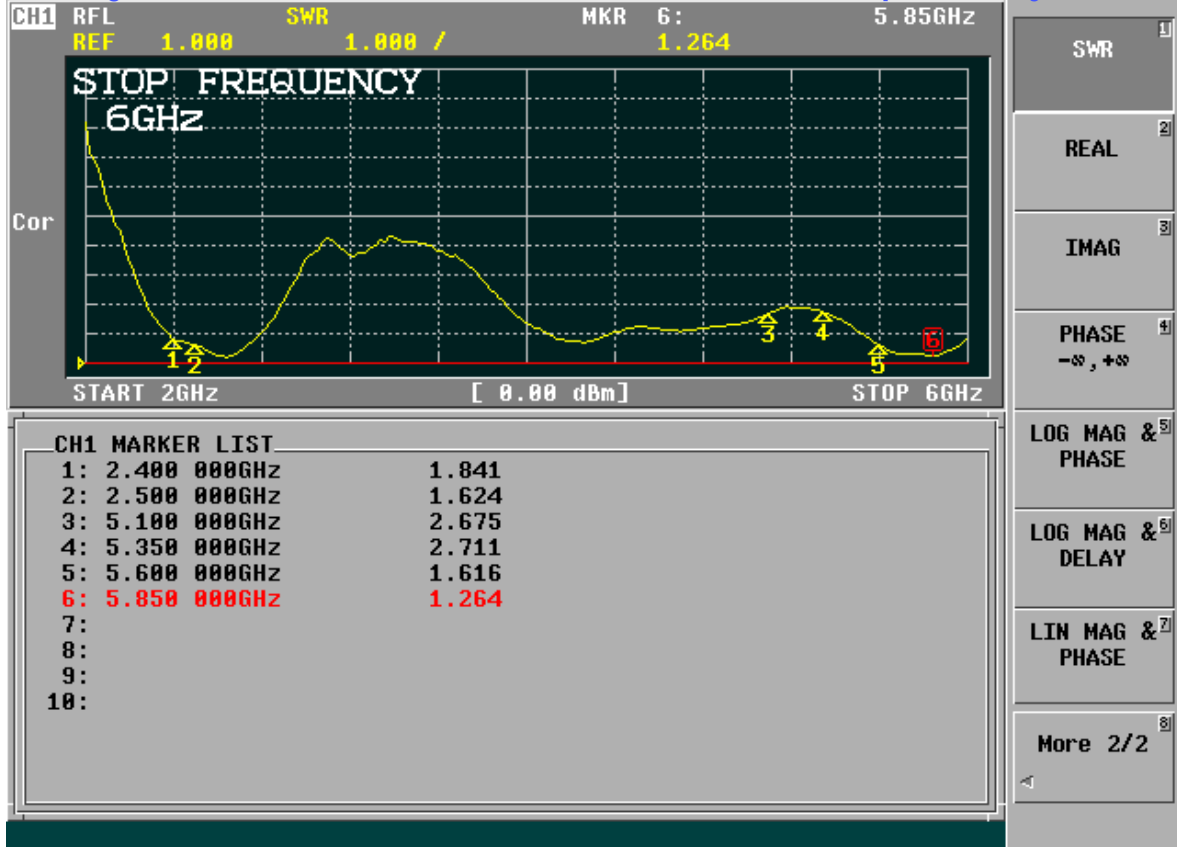
\* This specification is subject to change without prior notice

NO.	NAME	FINISH	QTY
01	Core tube	Black	01
02	Fixed upper	Black	01
03	Fixed beneath	Black	01
04	Rivet	Chrom plating	02
05	RP-SMA(M)	Chrom plating	01



 Third angle projection	CUSTOMER'S	MODEL	PARTS NUMBER	FREQUENCY	UNIT	SCALE	DATE	VERSION
	AVOCENT			2.4-2.5/5.0-5.8GHz	M/M		20111209	1
	TOLERANCE	X. XX±0.15	NAME	PARTS NUMBER	APPROVED	CHECKED	DRAWING	DESIGNED
	SURFACE ROUGHNESS	$\sqrt{R}$	APPEARANCE					







Frequency (MHz)	2400	2450	2500	5150	5250	5350	5470	5600	5725	5785	5850
Average Gain(dBi)	-1.64	-1.54	-1.89	-1.50	-1.90	-2.15	-2.67	-2.01	-1.68	-2.47	-2.73
Peak Gain (dBi)	4.97	4.83	4.40	5.15	4.91	4.89	3.60	3.94	4.41	3.89	3.48
Efficiency (%)	68.51	70.10	64.74	70.73	64.51	60.91	54.13	63.00	67.95	56.64	53.29

