

# GPS Whip Active Antenna

## MODEL: GA-85-FAKRA-C

Compact & Sensitive GPS antenna with Excellent Signal Amplification for Mobile Applications



- High performance
- Out-band filtering & rejection
- Voltage: 1.5~3.1 V DC
- Provides excellent signal amplification
- 9.3(Dia.) × 59.6 (L) mm
- IPX6

**GA-85** is the integration of a high performance GPS whip antenna and a state-of-the-art low noise amplifier into a very low profile/ extremely compact/ fully waterproof enclosure which, when connected to a GPS receiver with 1.5~3.1V DC antenna power, provides excellent signal amplification and out-band filtering & rejection, provide 1.5~3.1V input Voltage is available.

### FEATURES:

- Compact Construction/ Low Profile/
- Omni-Directional Antenna Patterns
- Excellent Temperature Stability
- Low Noise Figure
- High Sensitivity

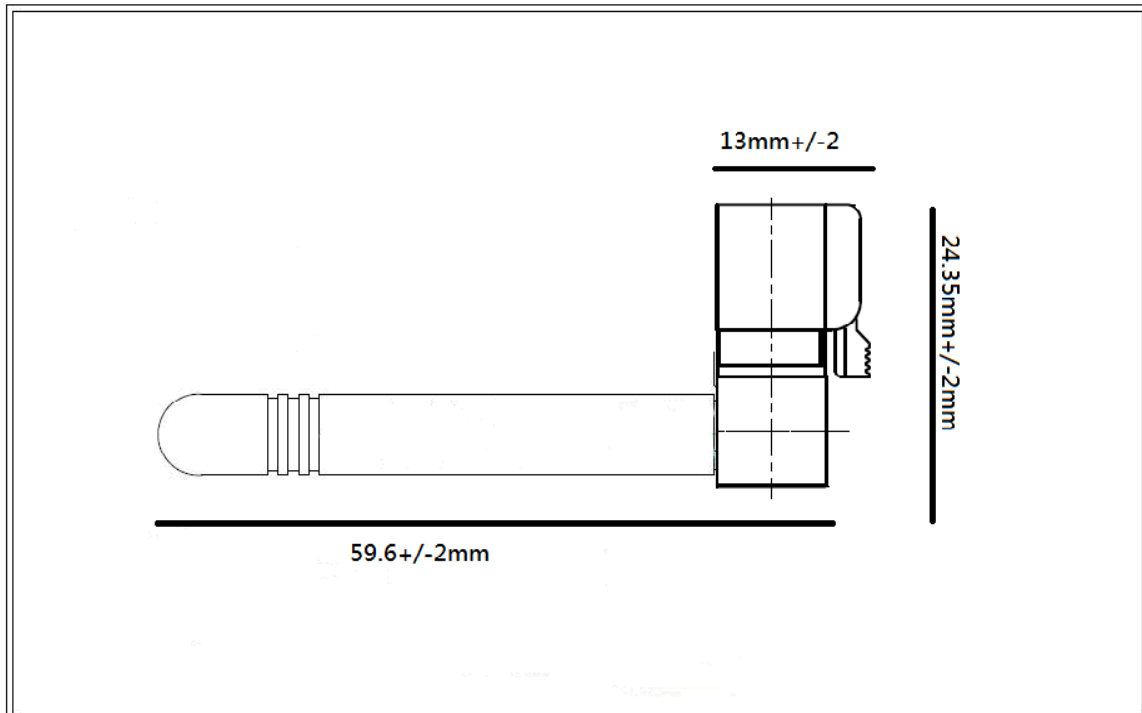
### APPLICATIONS:

- Automobile GPS
- Bluetooth Receiver
- Car Tracking Navigation System
- AVL / Fleet Management Systems
- External Antenna for Handheld GPS
- External Antenna for PDA Navigator

### SPECIFICATIONS:

Physical Condition	
Construction	TPE rubber
Dimension	9.3(Dia.) × 59.6 (L) mm
Weight	2 grams
Environmental Conditions	
Operation temperature	-40°C to +85°C
Storage temperature	-40°C to +100°C
Relative Humidity	95% non-condensing
Connector	
Connector Available	FAKRA90-C Code

Center Frequency	1575.42 MHz +/- 1.023 MHz
Gain	15+/-3dB
Bandwidth	10 MHz min. @S11≤-10 dB
Noise Figure	1.5dB Typ.
Filter	25dB @ fo± 50MHz
	35dB @ fo± 100MHz
	* fo=1575.42MHz
Supply Voltages	1.5~3.1V DC
Current Consumption	5mA
Output Impedance	50 ohm
Output VSWR	2.0 max.



				 百展科技 www.bjtek.com.tw		百展科技有限公司 BJTEK NAVIGATION INC		TEL: 886-2-86720160 FAX: 886-2-86720161		
				TITLE :		DWG NO. :				
				TOLERANCE : AS SPEC.		FINISH : SEE TABLE		DATE :		UNIT : MM
				MATERIAL : SEE TABLE		ISSUED : 75/KEN		DRAWN : BILL		CHECKED : LOTUS
3	ROTARY SHAFT	BRASS	CR-BLACK							
2	ANT. COVER	TPU	BLACK							
1		BRASS								
ITEM	DESCRIPTION	MAT'L	FINISH	ITEM No.						

