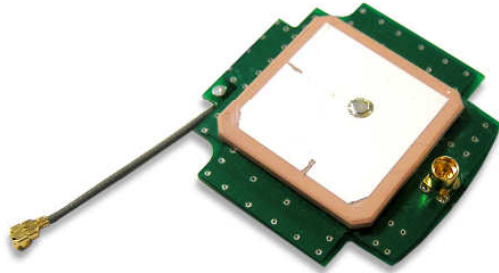


# GPS Antenna Module

## MODEL: GAM-25P

Compact & Sensitive GPS Antenna Module with Excellent Signal Amplification for Mobile Applications



- Voltage: 3.3V DC
- Current (DC=3.3 +0.7V): 6+2mA Typ.
- 37mm (L) x 36.6mm (W) x 6.95mm (H)
- Weight: 43+10 g
- High temperature stability

**GAM-25P** is the most compact GPS antenna module currently available on the market, thanks to our cutting-edge technology that makes the device the tiniest possible without sacrificing performance. With comprehensive coverage almost all the way to the horizon, it performs excellently in foliage or urban canyon environment. Featuring diminutive but substantial enclosure plus unparalleled performance, **GAM-25P** is compatible with almost every GPS receiver model available on the market and provides a perfect alternative for a vast range of GPS applications in the fields of AVL, vehicle navigation, aviation and military.

### Features:

1. Extra-high Gain and Low Noise
2. Wide Voltage (2.8V~3.7 V) can be available in one.
3. Extra-low current consumption in low voltage.

### Applications:

For antenna units used with or in Handheld system, Automobile, Recreational, Marine, etc.

### Specifications:

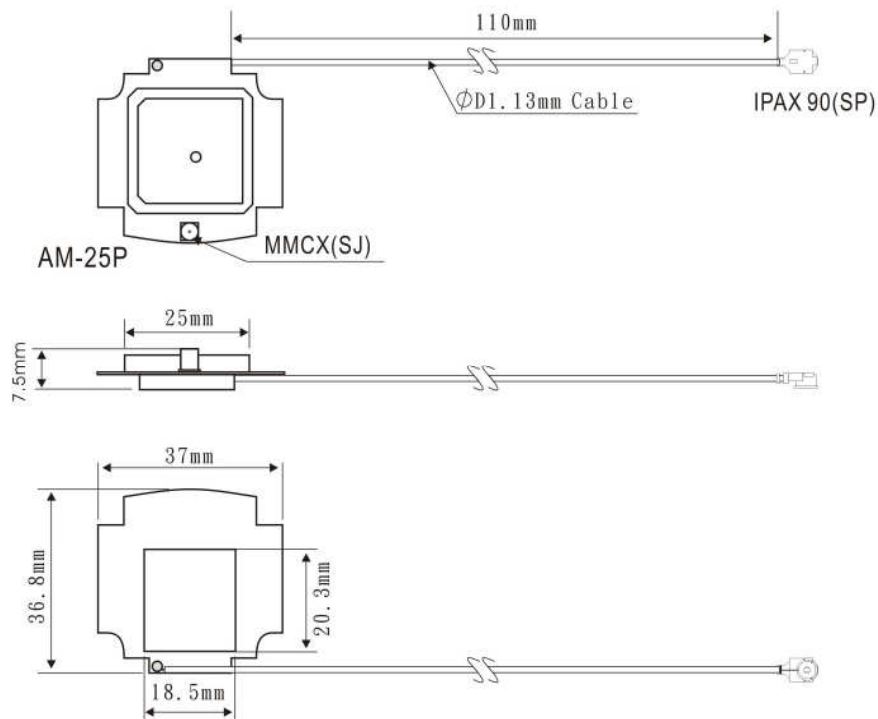
Physical Condition	
Dimension:	37mm (L) x 36.6mm (W) x 6.95mm (H)
Weight:	43+10 g
Standard Mounting:	Solder
Ceramic Path Antenna	
Path Size:	25mm x 25mm x 2mm
Operating Frequency:	1575.42 MHz +/- 1.023 MHz
Bandwidth:	10 MHz min. @S11≤-10dB

Ground Size:	50mm x 50mm
Gain at Zenith:	2.5 dBic Typ.
Polarization:	R.H.C.P. (Right Hand Circular Polarization)
Axial Ratio:	3.0 dB Typ.
<b>LNA/Filter</b>	
Operating Frequency:	1575.42 MHz +/- 1.023 MHz
Gain:	15 dB Typ.
Noise Figure:	1.5 dB Typ.
Output V.S.W.R:	2.0 Max.
Voltage:	3.3 V
Current:	3.3V:4.6mA Typ.
<b>Environmental conditions</b>	
Operating Temperature:	-40°C~+90°C
Relative Humidity:	10~95% non-condensing

\* This specification is subject to change without prior notice

Data Updated: May.03, 2006

**Outline :**



**LNA**



Active

