

CAR GSM Antenna

MODEL: MA-79



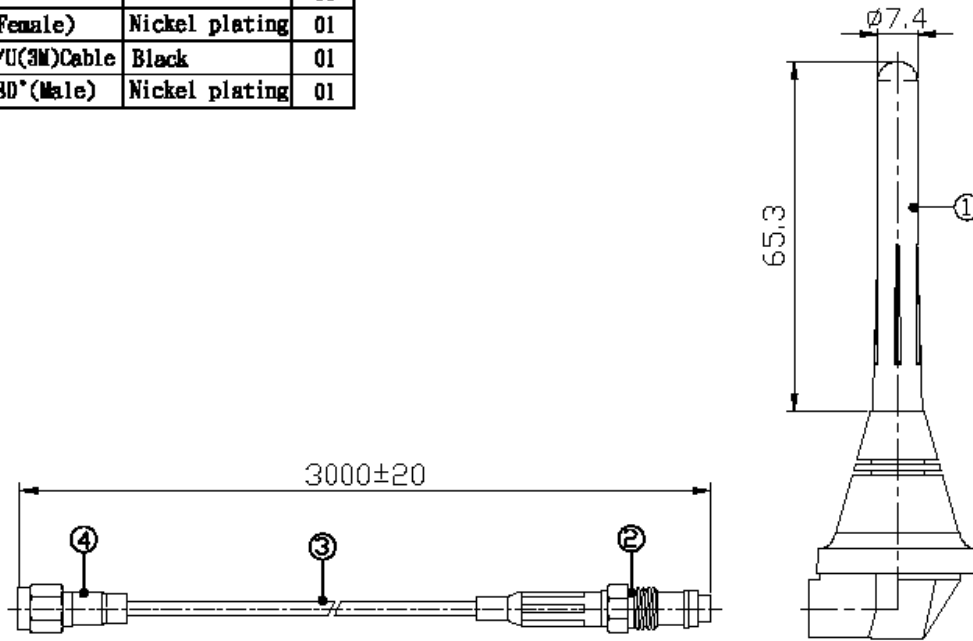
1. Electrica Properties


Parameter	Description
Frequency Band	824-960 / 1710-1990 / 1990-2170MHZ
Nominal Impedance	50 ohm
Polarization	Vertical
Electrical Wave	1 / 4 λ Dipole
Return Loss	Please See Data-1
V.S.W.R	2.3:1
Antenna Average Gain	0-3dBi

2. Mechanical Properties

Parameter	Description
Antenna Type	External Antenna
Touch Type	Screw Type
Connector Type	FME 180°-Type
Antenna Dimensions	65.3 mm \pm 2
Antenna Cable Total Length	3000 mm \pm 20
Antenna Color	Black
Operating Temperature Range	-20°C~+60°C
Storage Temperature Range	-30°C~+70°C

NO.	NAME	FINISH	Q. TY
01	Core tube	Black	01
02	FME (Female)	Nickel plating	01
03	RG-58/U(3M)Cable	Black	01
04	SMA 180°(Male)	Nickel plating	01



 Third angle projection	CUSTOMER'S	MODEL	PARTS NUMBER	FREQUENCY	UNIT	SCALE	DATE	VERSION
					824-866/1710-2170MHz	M/M		20090204
	TOLERANCE	X. XX±0.15	NAME	PARTS NUMBER	APPROVED	CHECKED	DRAWING	DESIGNED
	SURFACE ROUGHNESS	\sqrt{R}	APPEARANCE					

