

CAR GSM Antenna

MODEL: MA-83



1. GENERAL DESCRIPTION

Model No	P/N
	MA-83

Below is a table summarizing the antenna design specification.

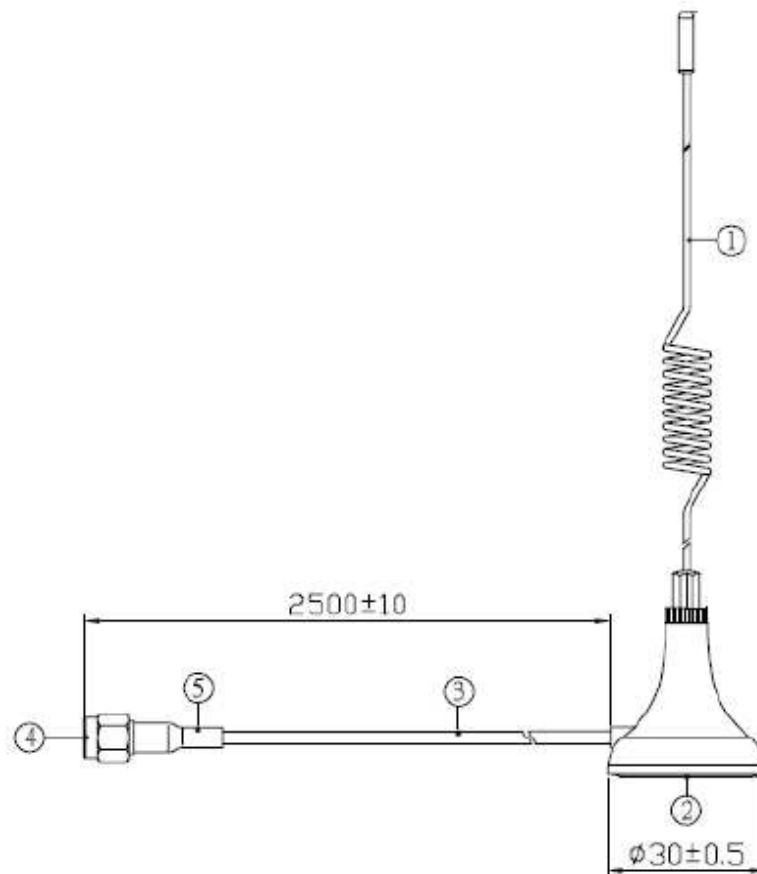
1.1 Electrical Properties

Parameter	Description
Frequency Band	824-960/1710-1990/1990~2170MHz
Nominal Impedance	50 ohm
Polarization	Vertical
Electrical Wave	1 / 2 λ Dipole
Return Loss	Please See Data-1
V.S.W.R	2.0 : 1
Antenna Average Gain	0~3 dBi
Note: Gain includes the cable loss	

1.2 Mechanical Properties

Parameter	Description
Antenna Type	External Antenna
Touch Type	Magnet Type
Connector Type	SMA 180° (Male)
Antenna Dimensions	287±3
Antenna Cable Total Length	RG-174 A/U 2500 mm ±30 or 3000mm
Antenna Color	Black
Operating Temperature Range	-40°C~+85°C
Storage Temperature Range	-40°C~+85°C

1. Appearance



2. Frequency

