

CAR GSM Antenna

MODEL: MA-83B



1. GENERAL DESCRIPTION

Model No	P/N
	MA-83B

Below is a table summarizing the antenna design specification.

1.1 Electrical Properties

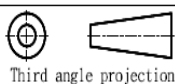
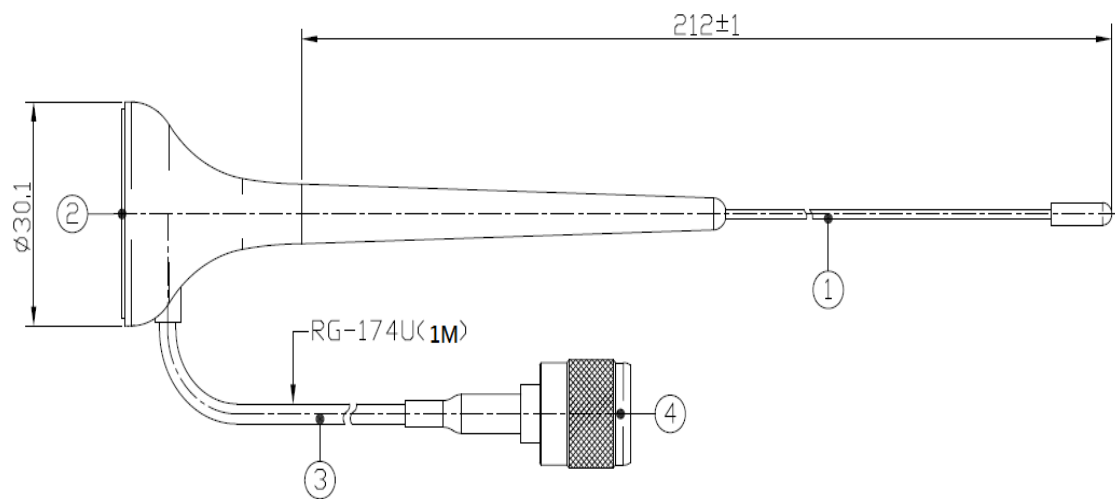
Parameter	Description
Frequency Band	824-960/1710-1990/1990~2170MHz
Nominal Impedance	50 ohm
Polarization	Vertical
Electrical Wave	Dipole
Return Loss	Please See Data-1
V.S.W.R	3.0 : 1
Antenna Average Gain	0~3 dBi
Note: Gain includes the cable loss	

1.2 Mechanical Properties

Parameter	Description
Antenna Type	External Antenna
Touch Type	Magnet Type
Connector Type	SMA 180°(Male)
Antenna Dimensions	240±3
Antenna Cable Total Length	RG-174 A/U 1000 mm ±30
Antenna Color	Black
Operating Temperature Range	-40°C~+85°C
Storage Temperature Range	-40°C~+85°C

1. Appearance

NO.	NAME	FINISH	Q, TY
01	Whip	Black	01
02	Base	Black	01
03	RG-174U	Black	01
04	SMA 180°(Male)	Nickel plating	01



CUSTOMER'S	MODEL	PARTS NUMBER	FREQUENCY	UNIT	SCALE	DATE	VERSION
			800/900/1800/1900/2100MHz	M/M		20130121	1
TOLERANCE	X. XX±0.15	NAME	PARTS NUMBER	APPROVED	CHECKED	DRAWING	DESIGNED
SURFACE ROUGHNESS	S ▽▽	APPEARANCE					

2. Frequency

