

Marine VHF Antenna

MODEL: MVA-1400

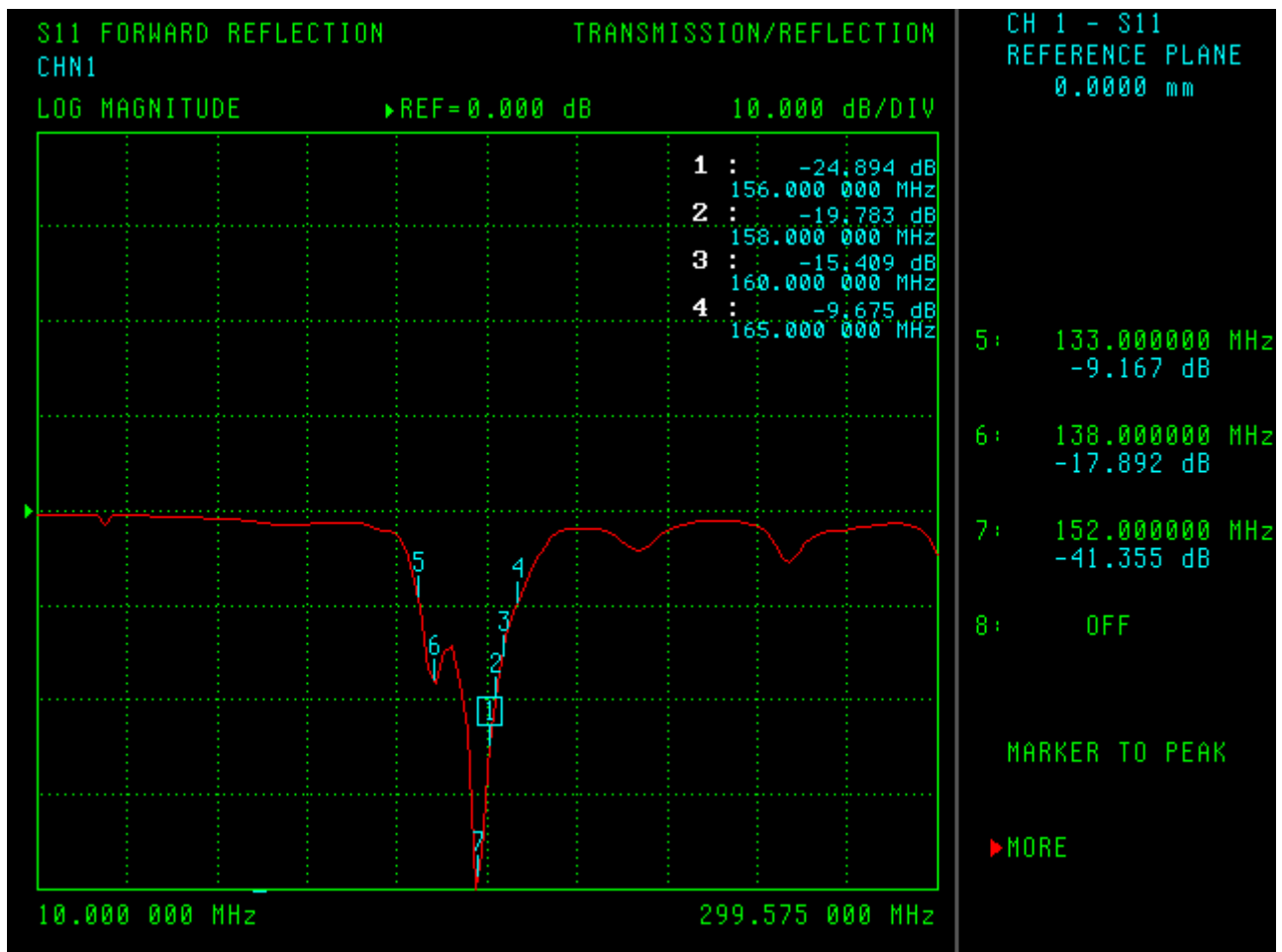
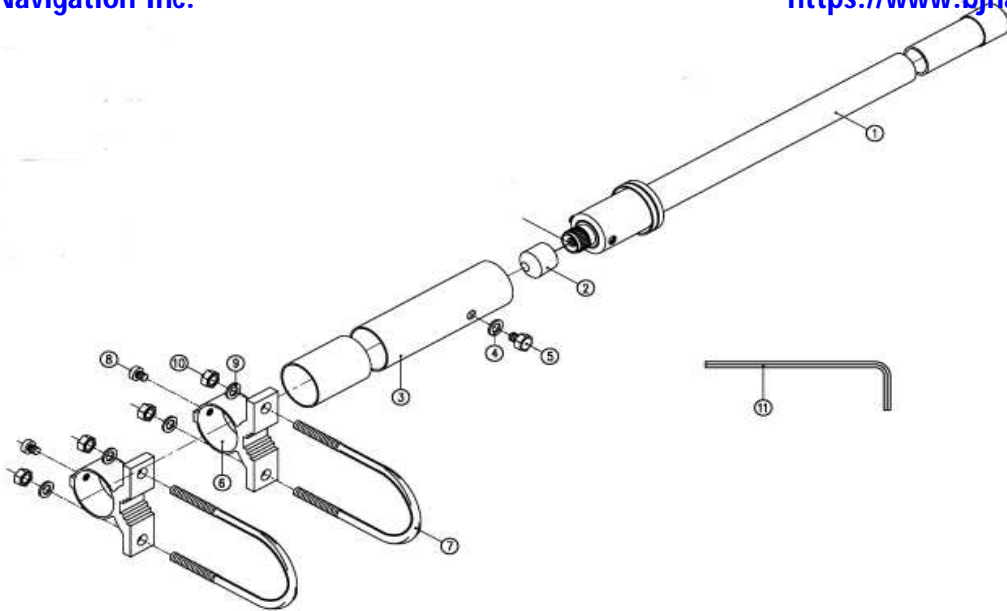
Marine VHF Radio & AIS SYSTEM & Orbcomm

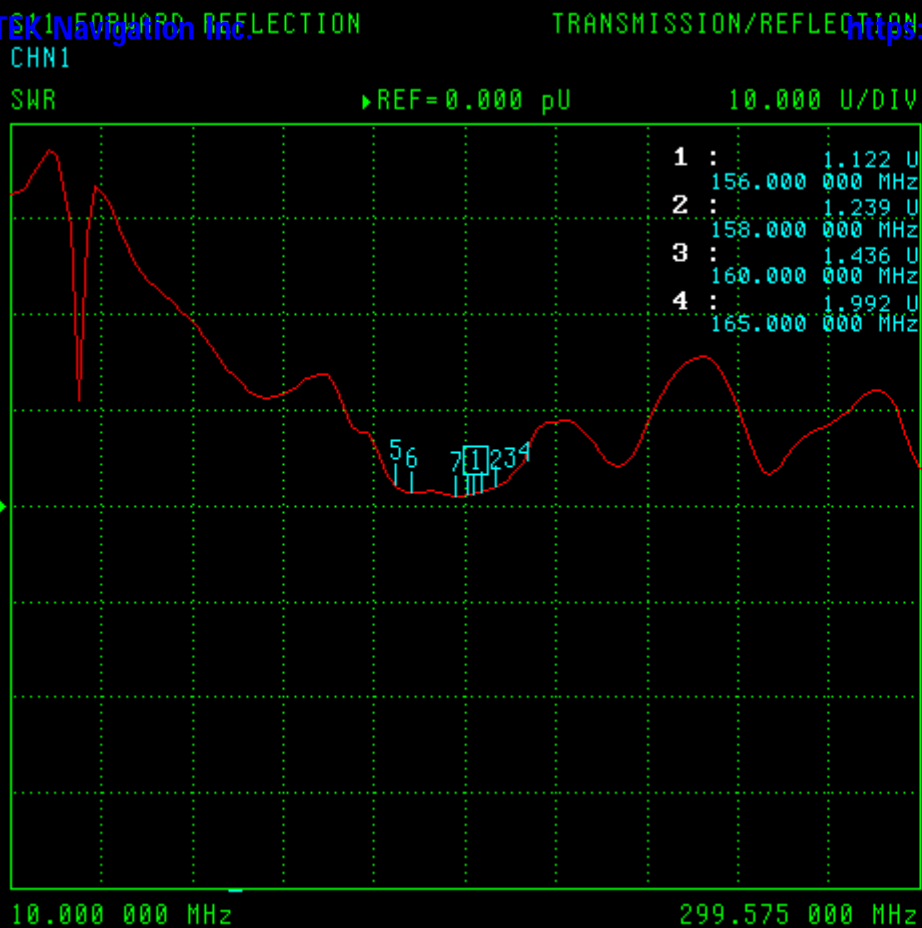


Specifications:

Marine VHF ANTENNA	
Fr :	135 ~ 165 Mhz
Gain:	3 dB
Configuration :	1/2 wave
VSWR	<2.0
Impedence:	50 ohm
Connector:	N
Ground	without
Dimension:	1400mm
Weight:	1Kg

* This specification is subject to change without prior notice



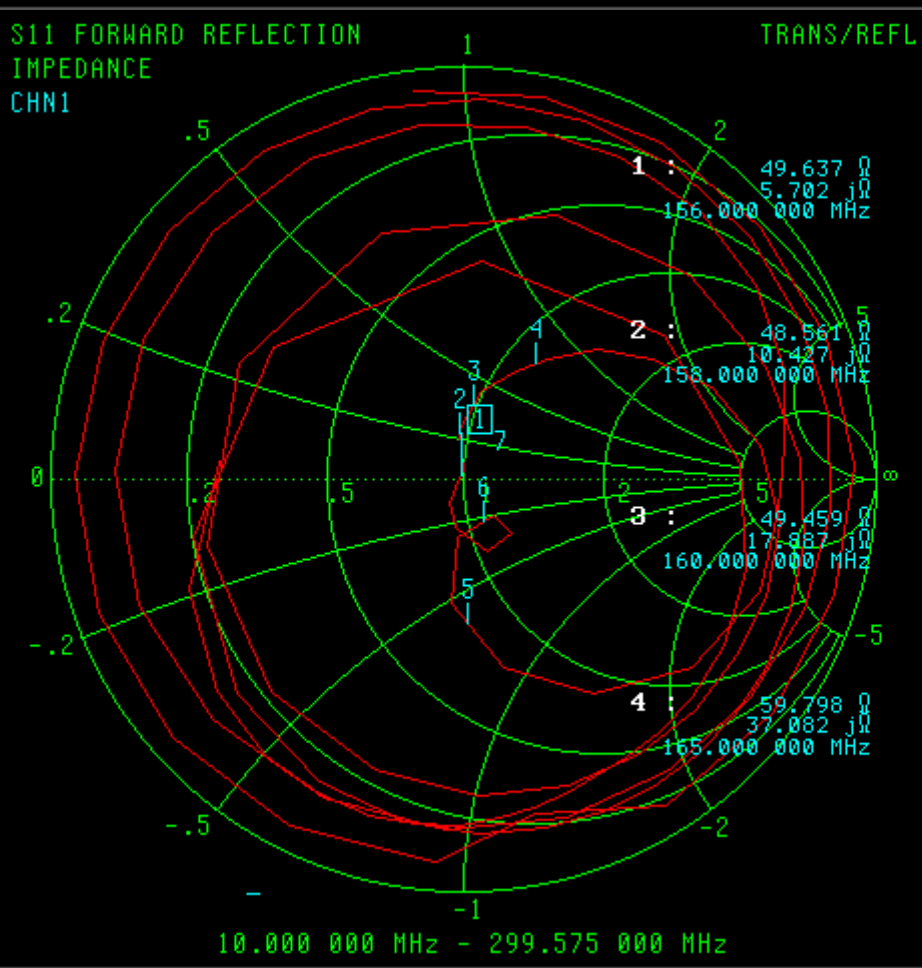


CH 1 - S11
REFERENCE PLANE
0.0000 mm

5:	133.000000 MHz	2.154 U
6:	138.000000 MHz	1.294 U
7:	152.000000 MHz	1.019 U
8:	OFF	

MARKER TO PEAK

► MORE



CH 1 - S11
REFERENCE PLANE
0.0000 mm

5:	133.000000 MHz	39.240 Ω	-32.267 jΩ
6:	138.000000 MHz	54.510 Ω	-11.691 jΩ
7:	152.000000 MHz	49.826 Ω	406.778 jmΩ
8:	OFF		

MARKER TO PEAK

► MORE