

CAR UHF Antenna

MODEL: TC-433B

Inside Glass Antenna 433Mhz



1. GENERAL DESCRIPTION

Model No	P/N
	TC-433B-5M-SMA(M)

Below is a table summarizing the antenna design specification.

1.1 Electrical Properties

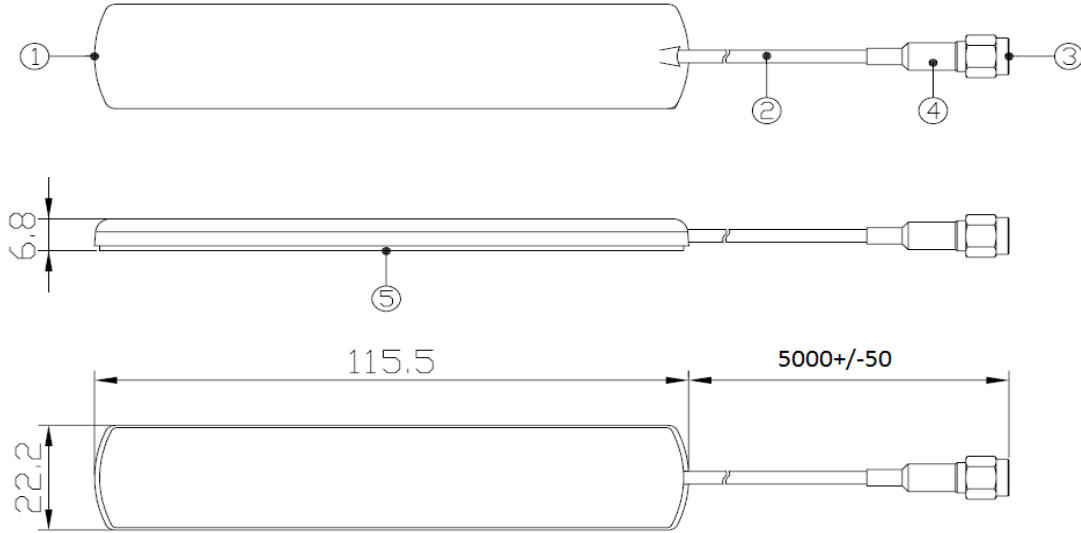
Parameter	Description
Frequency Band	433MHz
Nominal Impedance	50 ohm
Polarization	Vertical
Electrical Wave	Dipole
V.S.W.R	2.0:1


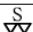
1.2 Mechanical Properties

Parameter	Description
Antenna Material	ABS
Connector Type	SMA 180° male
Antenna Dimensions	115 mm \pm 5
Antenna Cable Total Length	5000mm \pm 50
Antenna Color	Black
Operating Temperature Range	-30°C~+70°C
Storage Temperature Range	-30°C~+70°C

2. Appearance

NO.	圖名	外觀	用量
01	Head top	Black	01
02	RG-174A/U Cable	Black	01
03	SMA 180° (Male)	Colden plating	01
04	Heat-shrink tube	Polyolefin	01
05	3M-Twin adhesive	Red	01



 Third angle projection	CUSTOMER'S	MODEL	PARTS NUMBER	FREQUENCY	UNIT	SCALE	DATE	VERSION	
					433Mhz	M/M		20160607	1
	TOLERANCE	X. XX±0. 15	NAME	PARTS NUMBER	APPROVED	CHECKED	DRAWING	DESIGNED	
SURFACE ROUGHNESS		APPEARANCE							

3. FREQUENCY

