

DVBT ANTENNA

Model : TH-700



1. GENERAL DESCRIPTION

Model No	
	TH-700-BNC(M)

Below is a table summarizing the antenna design specification.

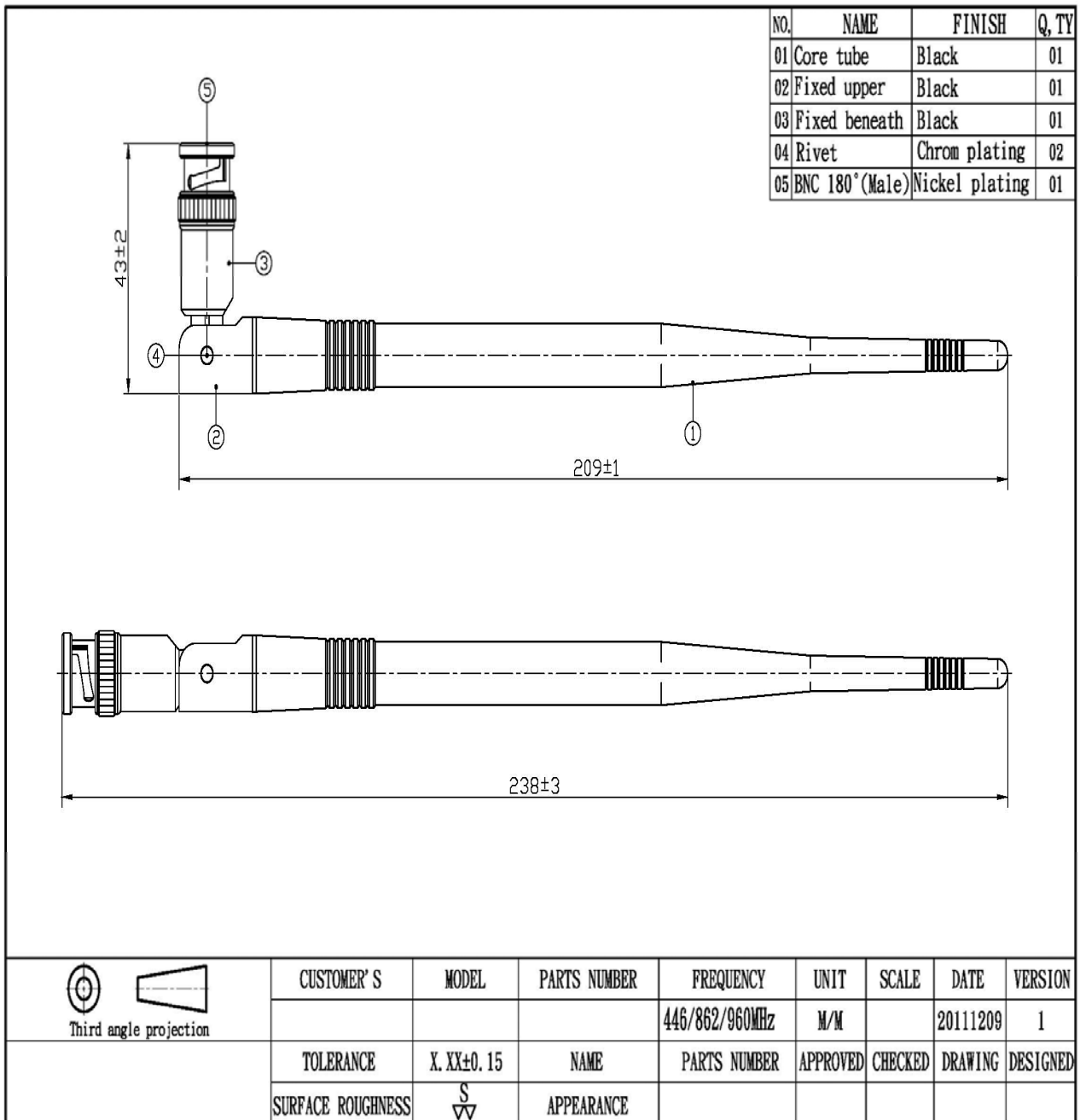
1.1 Electrical Properties

Parameter	Description
Frequency Band	446/862/960 MHz
Nominal Impedance	50 ohm
Polarization	Vertical
Return Loss	Please See Data-1
V.S.W.R	2.0:1
Note: Gain includes the cable loss	

1.2 Mechanical Properties

Parameter	Description
Antenna Type	External Antenna
Antenna Cover	TPR
Touch Type	Screw Type
Connector Type	BNC 180°
Antenna Dimensions	238mm±3
Antenna Color	Black
Operating Temperature Range	-20°C~+60°C
Storage Temperature Range	-30°C~+70°C

2. Appearance



3. Appearance

