

# GSM ANTENNA

## MODEL: TH-90-GSM-FAKRA-D

GSM850/GSM900/DCS1800/PCS1900/2170Mhz



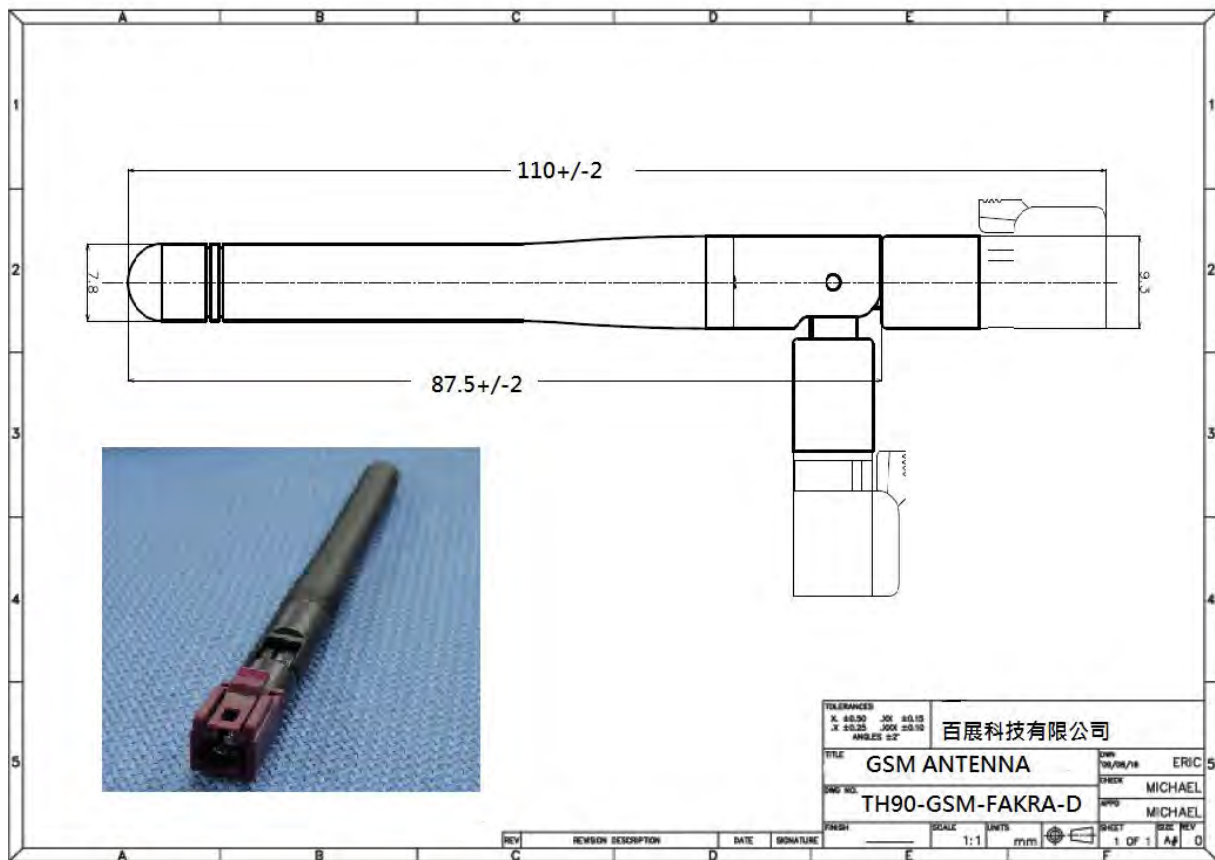
### 1.1 Electrical Properties

Parameter	Description
Frequency Band	850/900/1800/1900/2170 MHz
Nominal Impedance	50 ohm
Polarization	Vertical
Electrical Wave	Dipole
Return Loss	Please See Data-1
V.S.W.R	2.3:1
Antenna Average Gain	0~3dBi
Note: Gain includes the cable loss	

### 1.2 Mechanical Properties

Parameter	Description
Antenna Type	External Antenna
Antenna Cover	ABS
Touch Type	Screw Type
Connector Type	SMA 180°(Male)
Antenna Dimensions	104mm±2
Antenna Color	Black
Operating Temperature Range	-20°C~+60°C
Storage Temperature Range	-30°C~+70°C

### 2. APPEARANCE



### 3. FREQUENCY

