

RFID ANTENNA

Model : TH-915FA



1. GENERAL DESCRIPTION

Model No
TH915FA-RPSMA90(M)

Below is a table summarizing the antenna design specification.

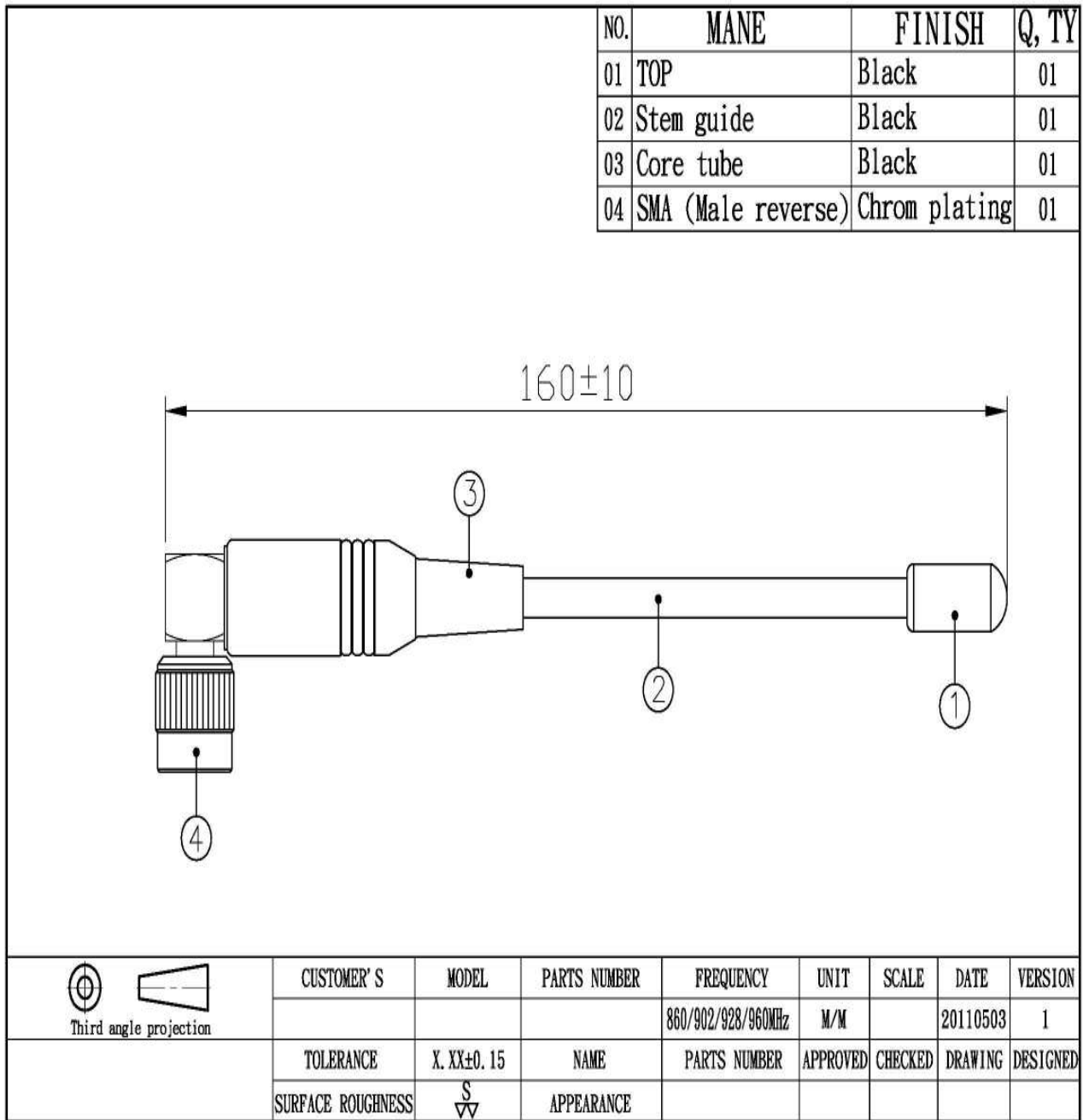
1.1 Electrical Properties

Parameter	Description
Frequency Band	860/902/928/960 MHz
Nominal Impedance	50 ohm
Polarization	Vertical
Return Loss	Please See Data-1
V.S.W.R	2.0 : 1
Note: Gain includes the cable loss	

1.2 Mechanical Properties

Parameter	Description
Antenna Type	External Antenna
Touch Type	Screw Type
Connector Type	SMA 90° (Male reverse)
Antenna Dimensions	160 mm ± 10
Antenna Color	Black
Operating Temperature Range	-20°C~+60°C
Storage Temperature Range	-30°C~+70°C

2. Appearance



3. Frequency

