

2.4G Antenna

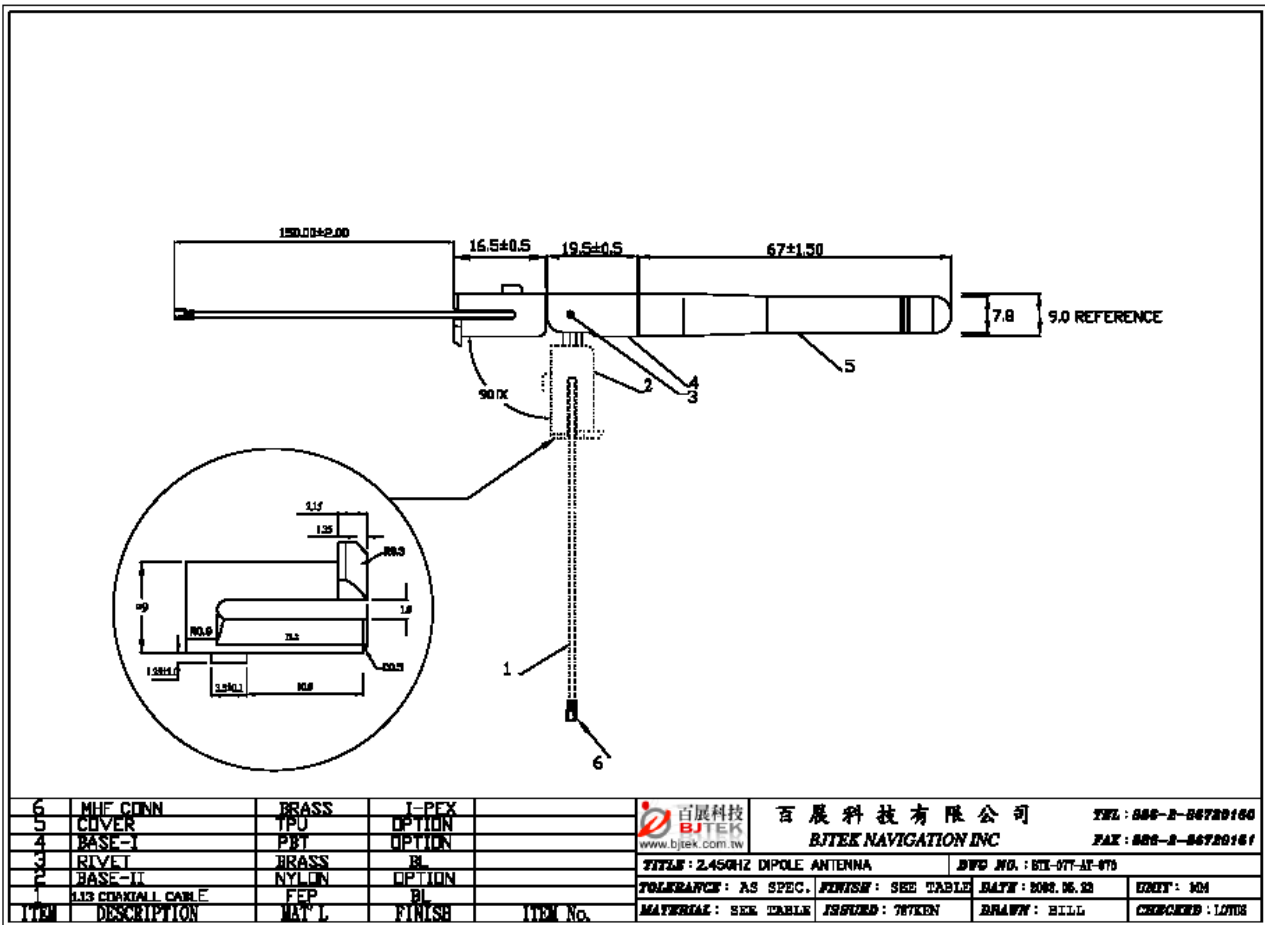
MODEL: TH-96



Specifications:

Frequency range:	2.4G ~ 2.5G
Gain:	2dBi
V.S.W.R:	2.0:1
Impedence:	50 ohm
Connector:	150mm + IPEX
Dimension:	9.0(Dia.) × 103 (L) mm
Weight:	>20g (With Connector)

* This specification is subject to change without prior notice



13 May 2008 15:11:01

[CH1] RFL SWR 1 / REF 1 4: 9.3881 1 956.600 000 MHz



CH1 Markers
 1: 1.5109
 2.40000 GHz
 2: 1.2143
 2.45000 GHz
 3: 1.3349
 2.50000 GHz

