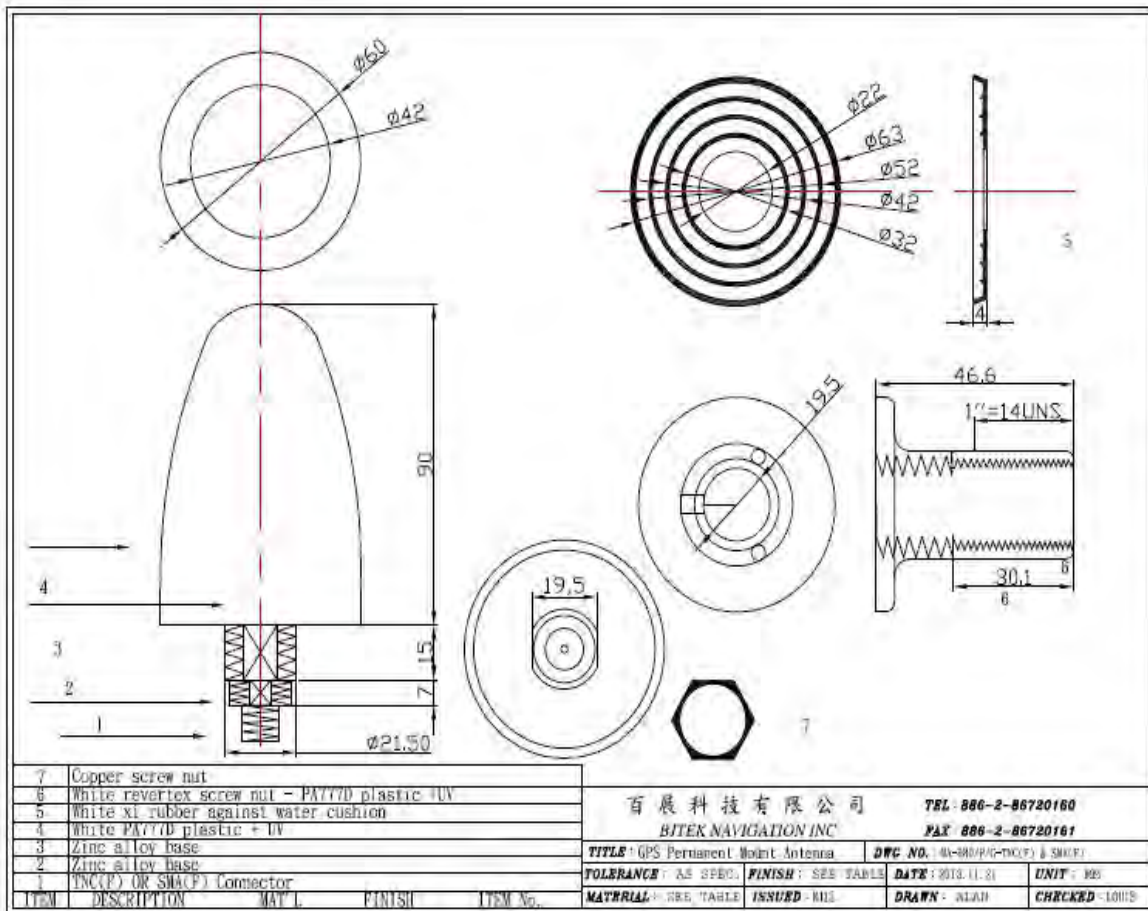


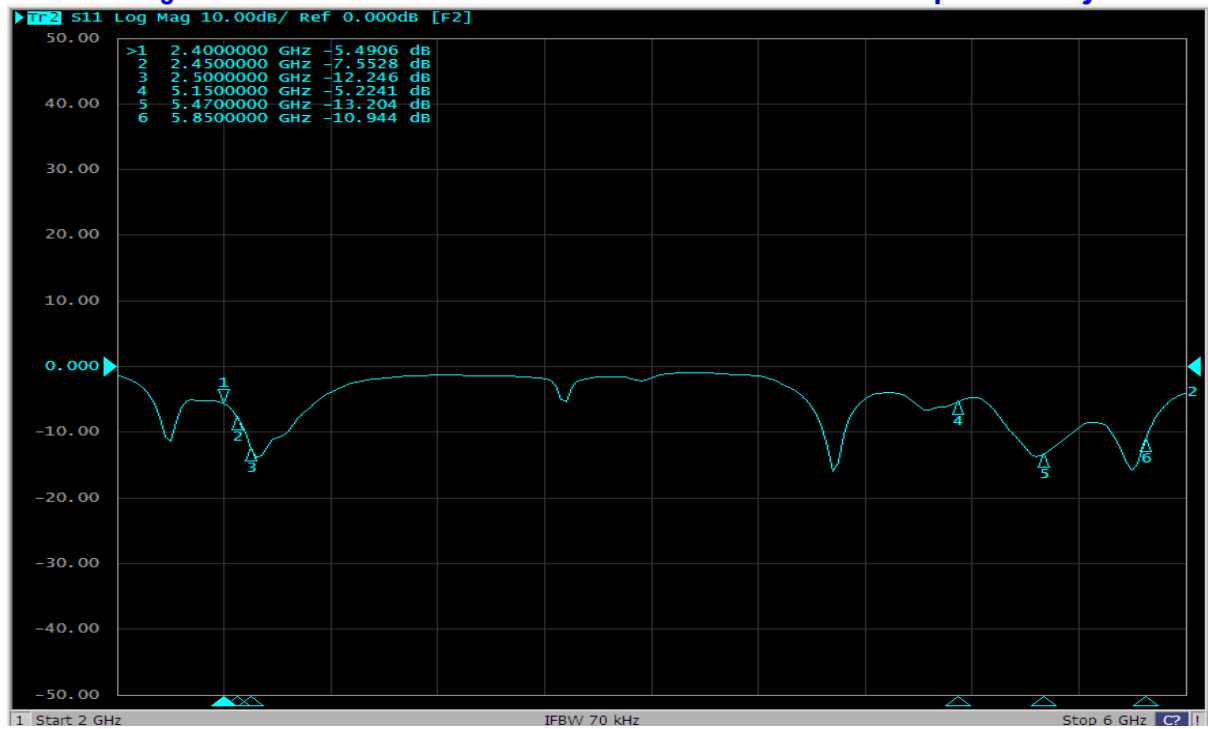
**Outdoor/Indoor 2.4 / 5.8 G Antenna****MODEL: WA-680****Specifications:**

<b>PHYSICAL CONDITION</b>	
Constructions:	Polycarbonate radome, detachable cable/connector for easy mount, rubber-O-ring between top radome and screw base for waterproof
Dimensions:	60mm(Dia.) x 140mm(H)
Weight:	200grams (w/o cable & connector).
Color:	Standard in ivory white, other colours available upon request.
Mounting:	Bulkhead mount with 0.8 inch threaded wing nut (standard accessory).
Mounting Adapters	Pole mount to 1"-14 UNS threaded mast
Base mounting	FB1 1"-14 UNS
<b>Cable &amp; Connector</b>	
RF cable:	SMA(M) +10 meter +TNC(M) (standard) other length (optional)
Pulling strength:	6 Kg @ 5sec. molded plastic on connector end for strain relief.
Connector	SMA(F) or TNC(F)
<b>Antenna Element</b>	
Center Frequency:	2400~2500 / 5100~5850 MHz
Polarization:	R.H.C.P. (Right Handed Circular Polarization).
Absolute Gain @ Zenith:	0~4 dBi without cable
Output VSWR:	3.0 max
Output Impedance:	50 ohm
<b>Environmental</b>	
Operating Temperature:	-40°C~ +85°C.
Storage Temperature:	-50°C~ +90°C.
Relative Humidity:	95% non-condensing.
Water Resistance:	100% waterproof. IPX7

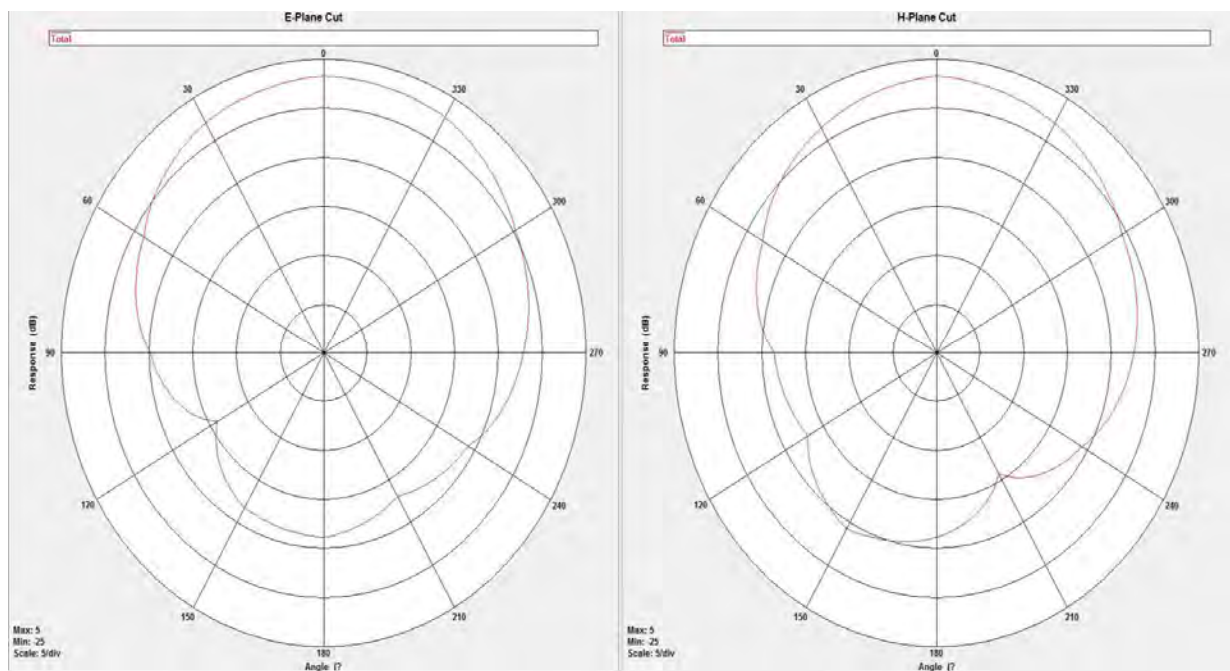
\* This specification is subject to change without prior notice

Data Updated: Dec.01, 2014





Frequency (MHz)	2400	2450	2500	5150	5250	5350	5470	5600	5725	5785	5850
Average Gain(dBi)	-2.71	-2.42	-2.48	-3.40	-4.07	-2.64	-2.28	-2.80	-2.97	-2.42	-2.65
Peak Gain (dBi)	2.84	3.22	3.02	2.50	0.34	2.70	4.06	3.53	2.78	3.23	2.78
Efficiency (%)	53.62	57.29	56.48	45.76	39.21	54.47	59.10	52.54	50.46	57.29	54.33



**FB1 Base mounting :**

