

2.4G Yagi Antenna

MODEL: YGA-240



1. GENERAL DESCRIPTION

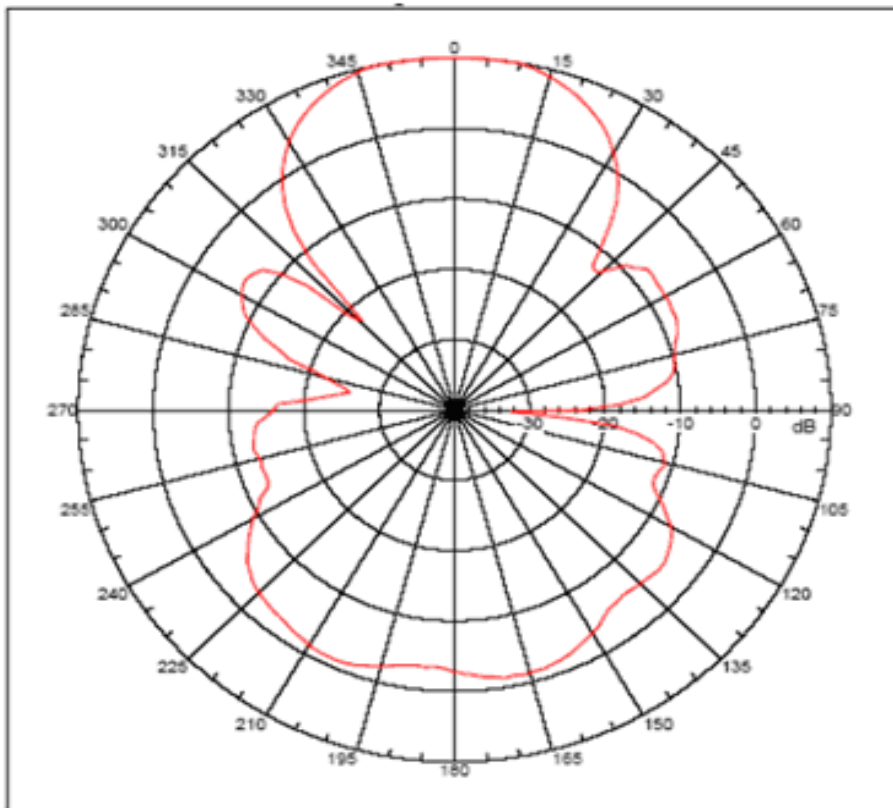
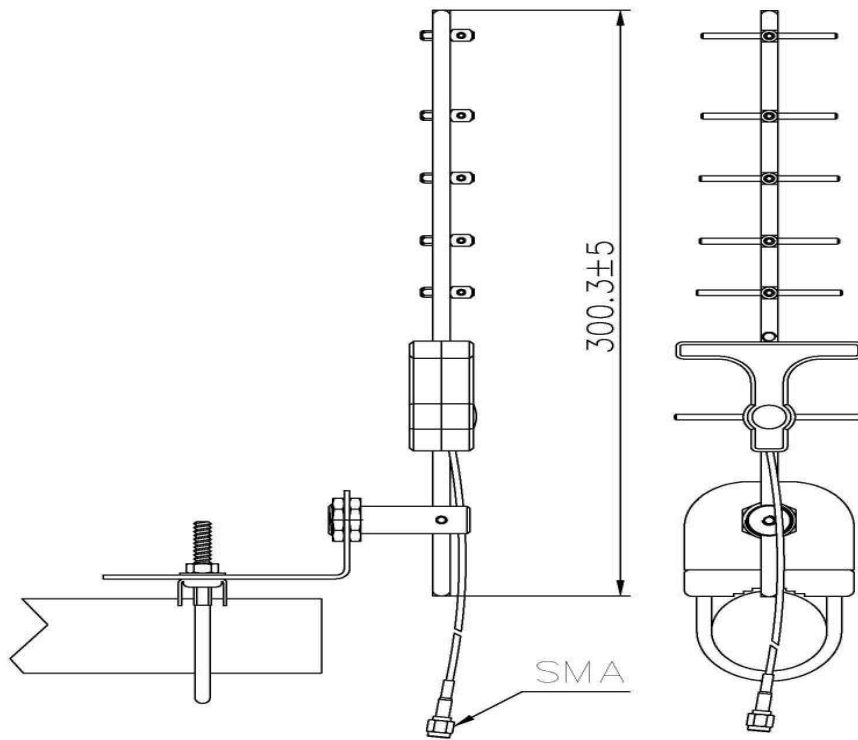
1.1 Electrical Properties

Parameter	Description
Frequency Band	2400-2500MHz
Nominal Impedance	50 ohm
Polarization	Vertical
V.S.W.R	2.0:1
Antenna Gain	8 dBi
Note: Gain includes the cable loss	

1.2 Mechanical Properties

Parameter	Description
Antenna Type	External Antenna
Touch Type	Screw Type
Connector Type	SMA 180° (Male)
Antenna Dimensions	300 mm ±5
Antenna Color	Black
Operating Temperature Range	-40°C~+85°C
Storage Temperature Range	-40°C~+85°C

2. Appearance



3. 1 Return Loss, V.S.W.R. and Smith Chart

