

# Whip VHF/UHF Antenna

## Model :TH-100



### 1. GENERAL DESCRIPTION

Model No
TH-100-RP-SMA(F)

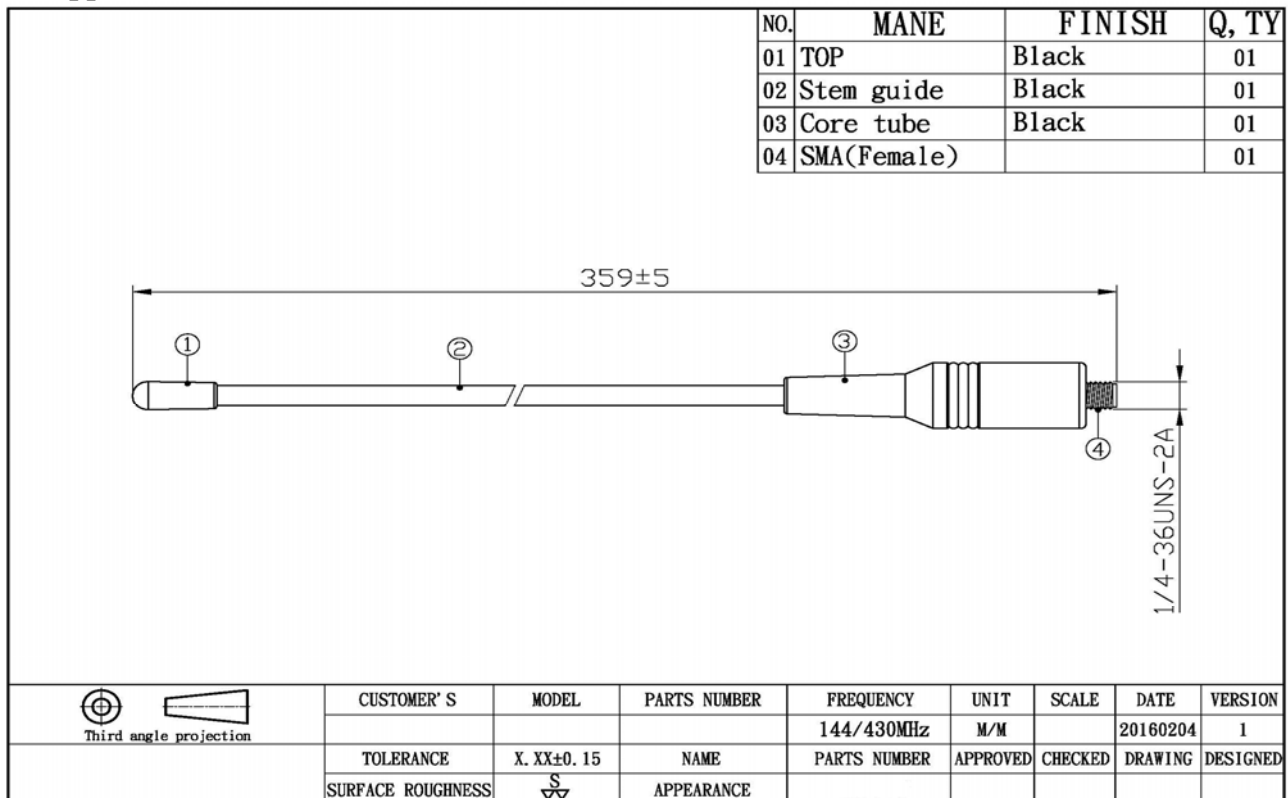
#### 1.1 Electrical Properties

Parameter	Description
Frequency Band	144/430 MHz
Nominal Impedance	50 ohm
Polarization	Vertical
V.S.W.R	2.0 : 1

#### 1.2 Mechanical Properties

Parameter	Description
Antenna Type	External Antenna
Touch Type	Screw Type
Connector Type	RP-SMA (Female)
Antenna Dimensions	359 mm $\pm$ 5
Antenna Color	Black
Operating Temperature Range	-30°C~+70°C
Storage Temperature Range	-30°C~+70°C

## 2. Appearance



## 3. Frequency

